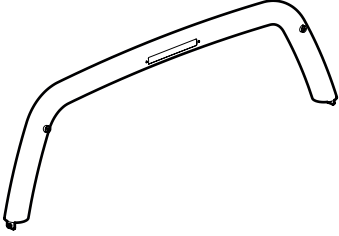
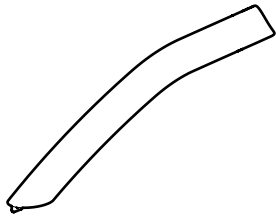
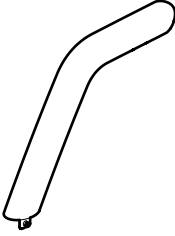



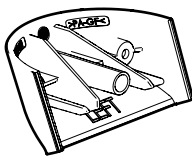
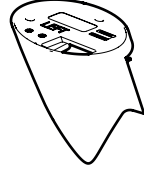
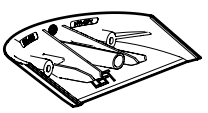

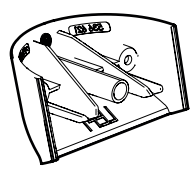
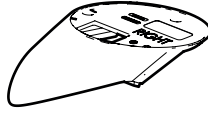
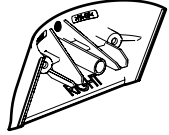
Mountain Top® Sports Bar

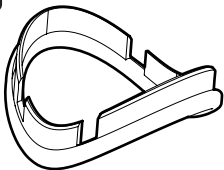
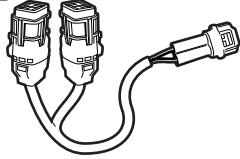
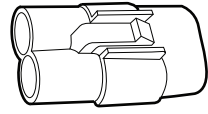

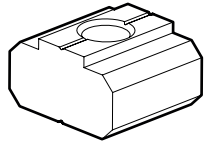
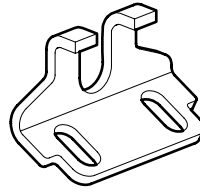
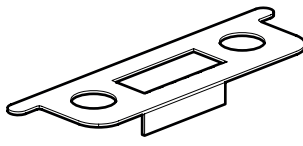

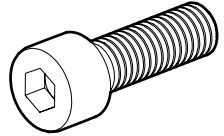
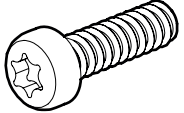
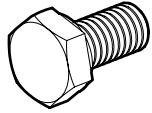
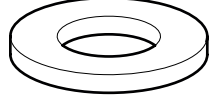
Installation manual

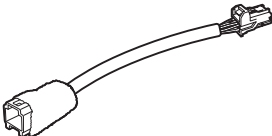
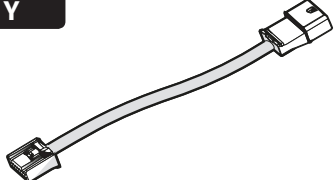
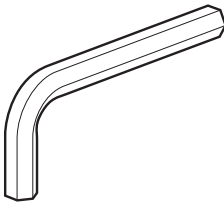


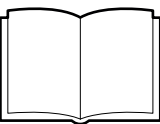
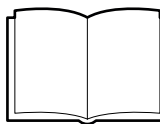
DOWNLOAD PDF

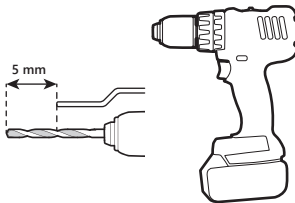
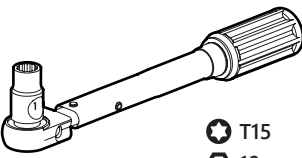



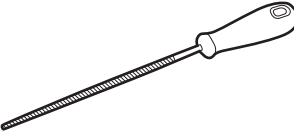
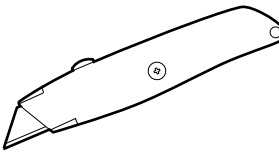
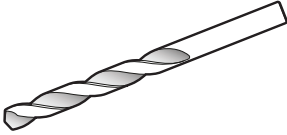
Parts			
A		B	
	x 1		x 1
C			
			x 1

Kit			
D		E	
	x 1		x 1
F		G	
	x 1		x 1
H		I	
	x 1		x 1
J		K	
	x 1		x 1

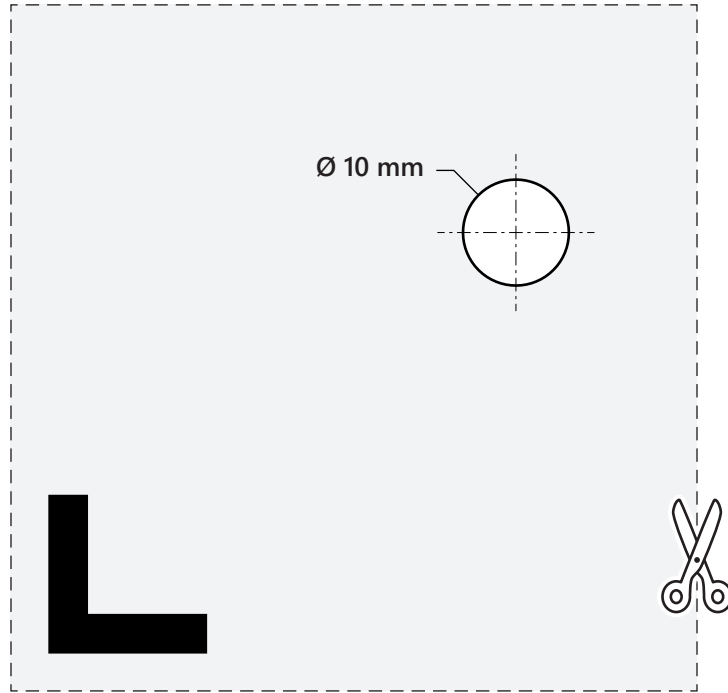
Kit			
L		M	
	x 2		x 1
N		O	
	x 1		x 2
P		Q	
	x 8		x 4
R		S	
	x 4		x 6
T		U	
M8x20	x 6	M3,5x12	x 8
V		W	
M6x12	x 8	M6	x 8

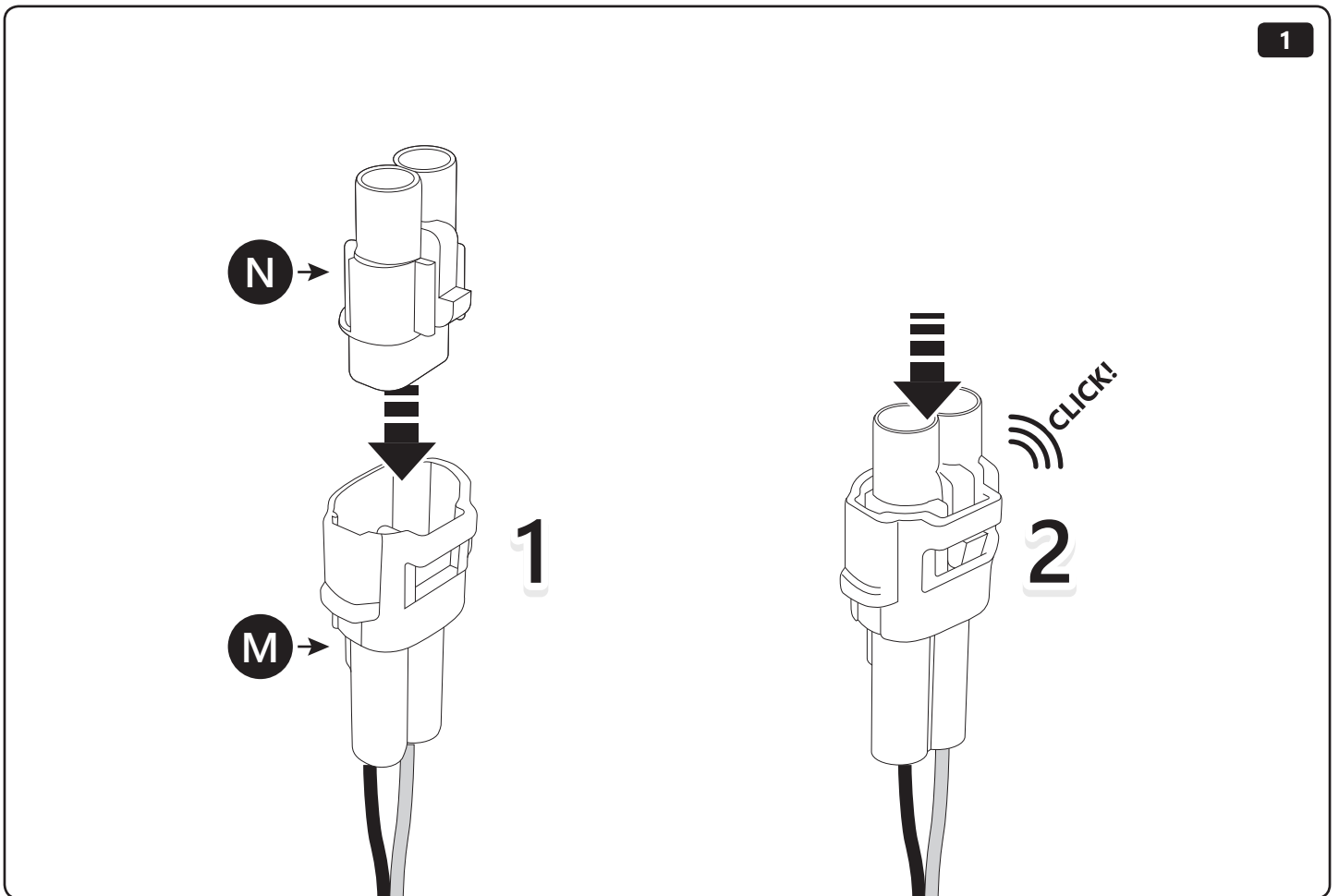
Kit		
X		
Model 220 / Model 250	x 1	
Y		
Model 350	x 1	
Z		
		x 1

Manual(s)	
	
Installation manual	TÜV documentation
x 1	x 1

Tools and materials needed		
	1-25 Nm	
		<ul style="list-style-type: none">  T15  10 mm  6 mm
		
		10 mm

1 →





1

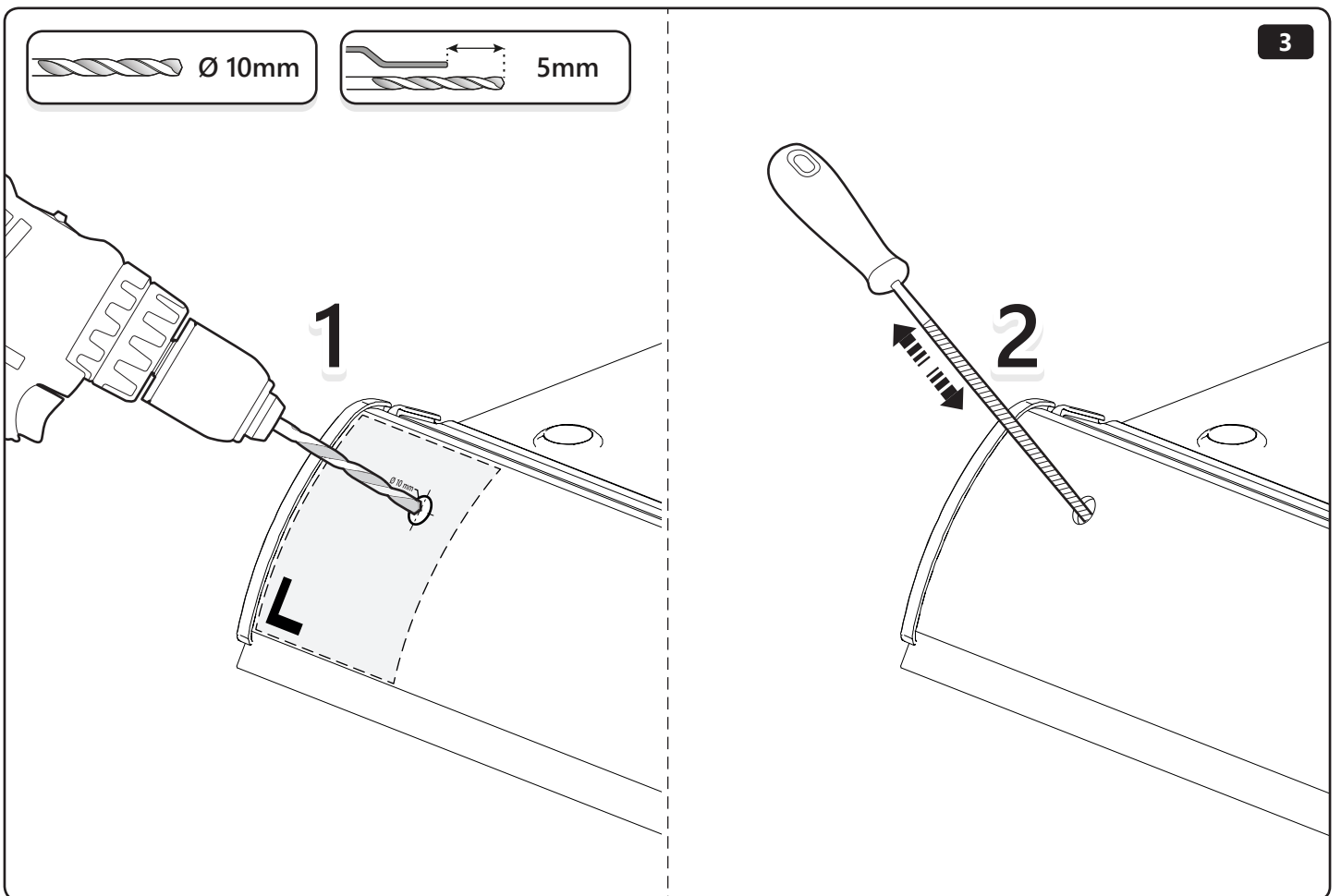
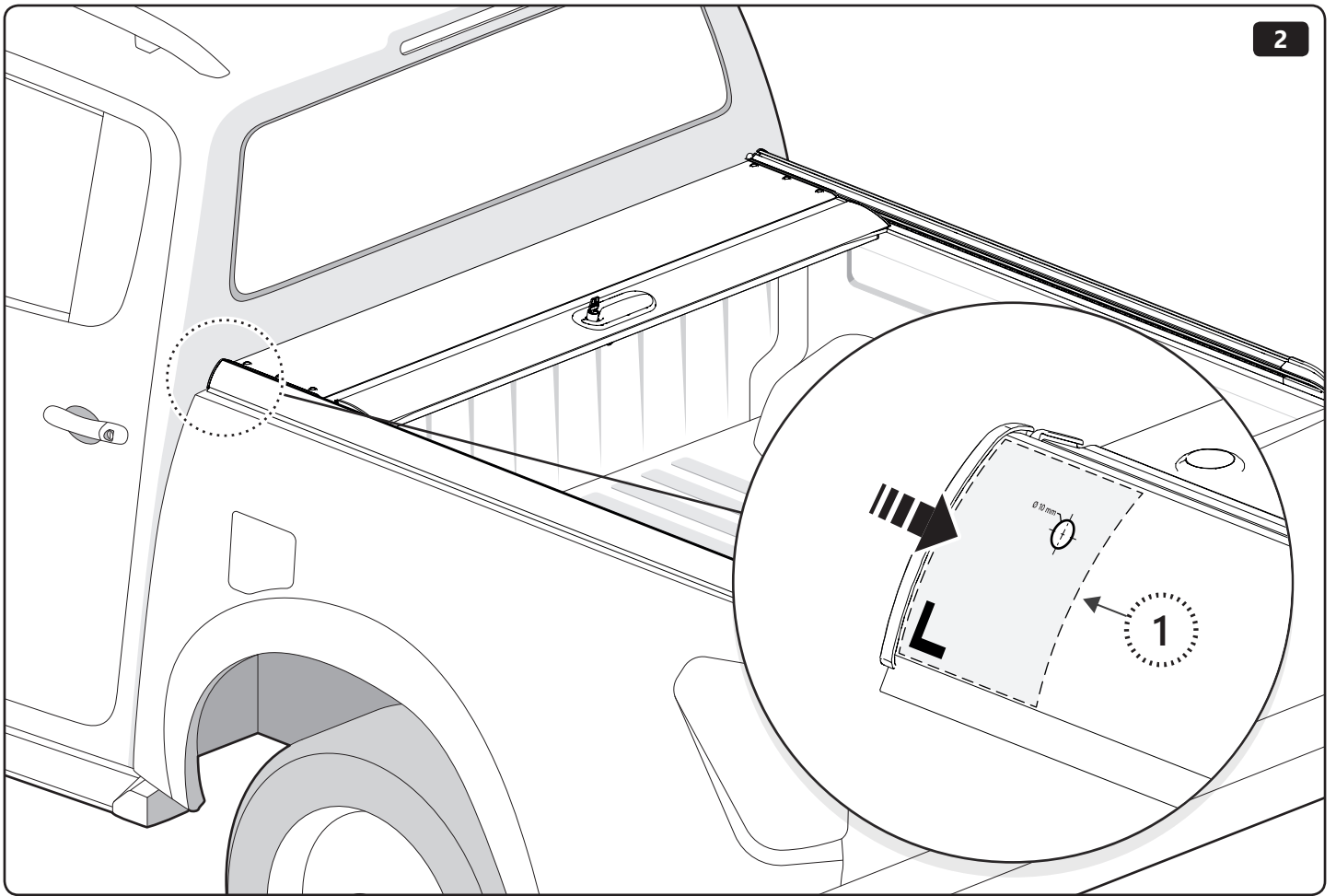
N

M

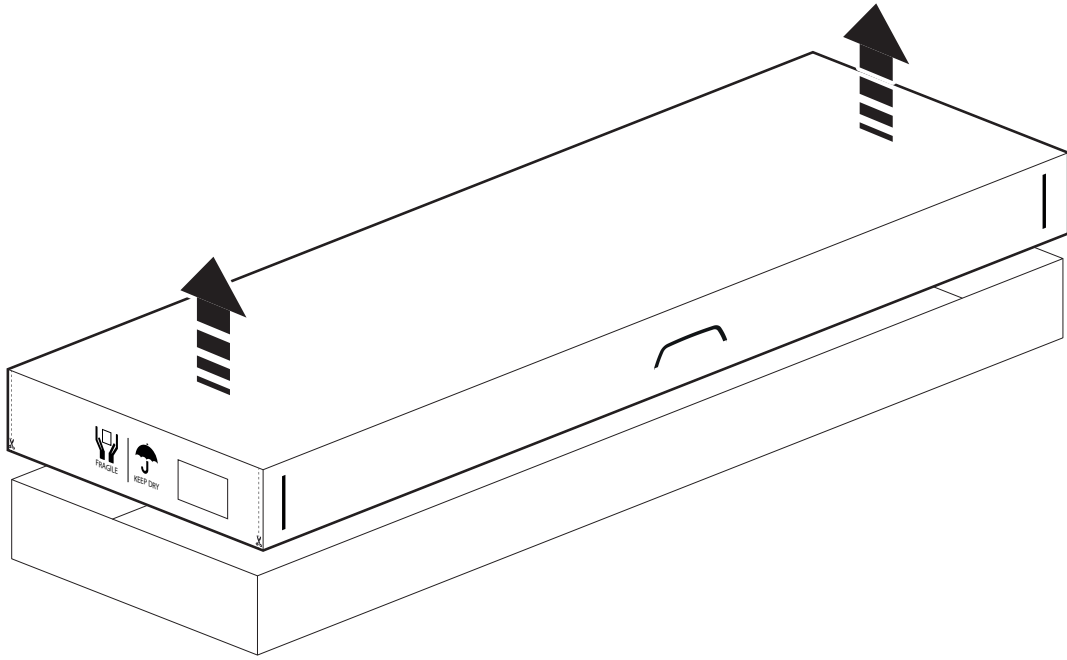
1

CLICK!

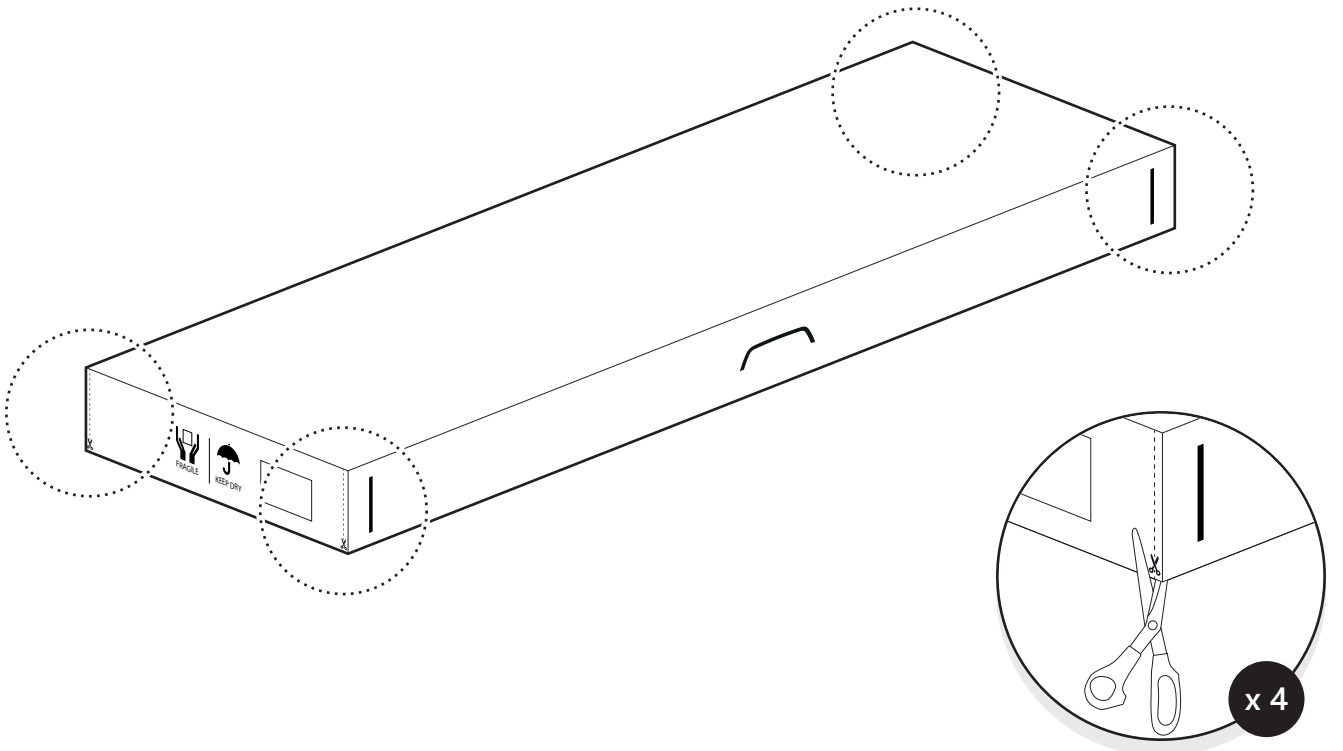
2



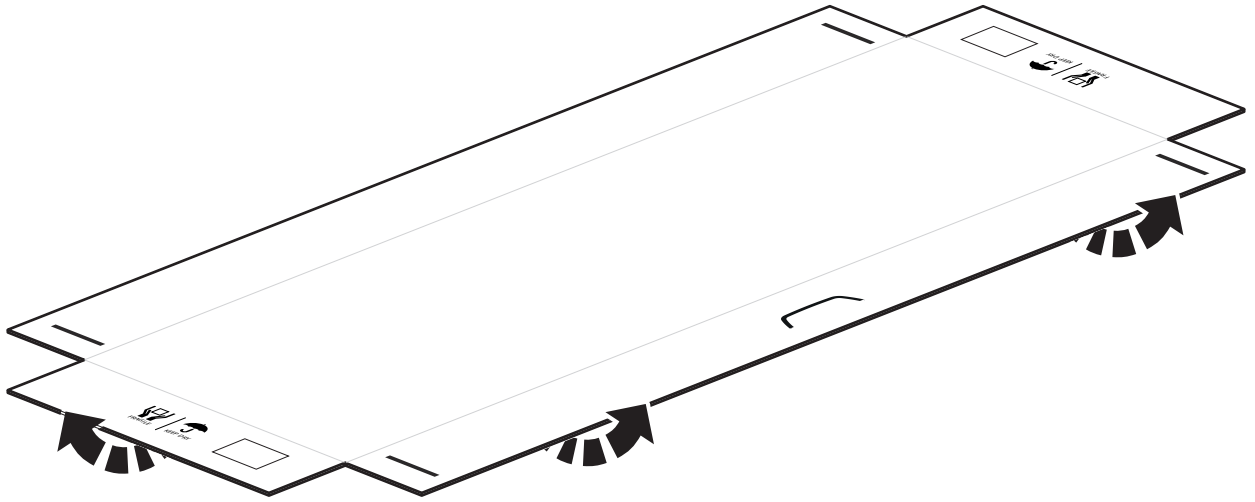
4



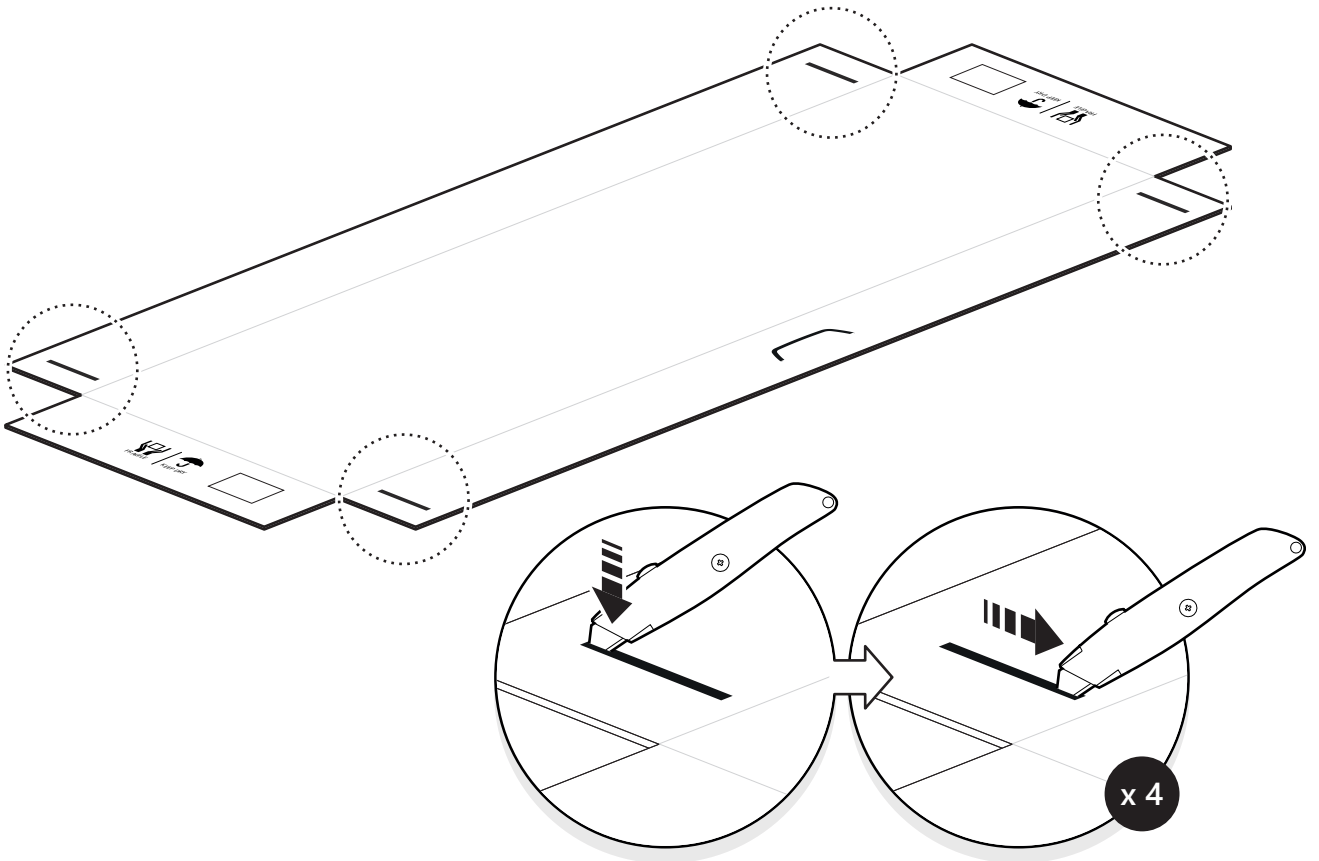
5

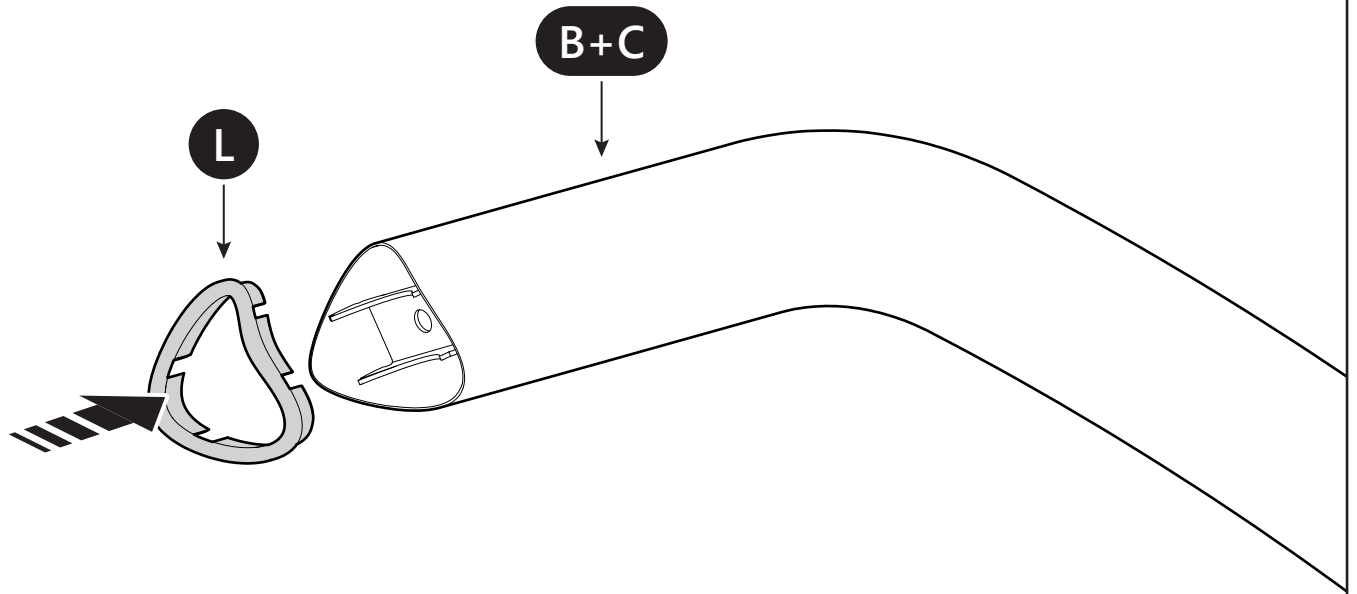


6

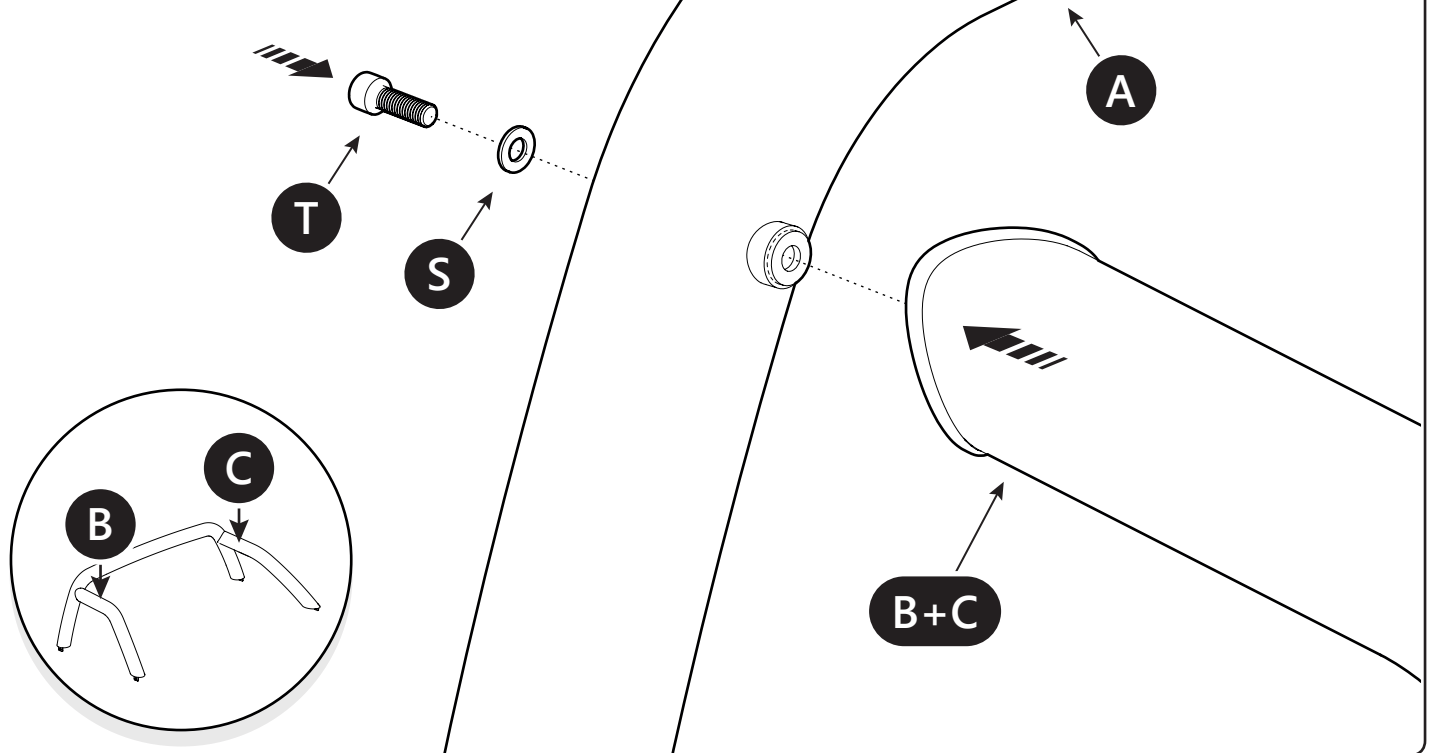


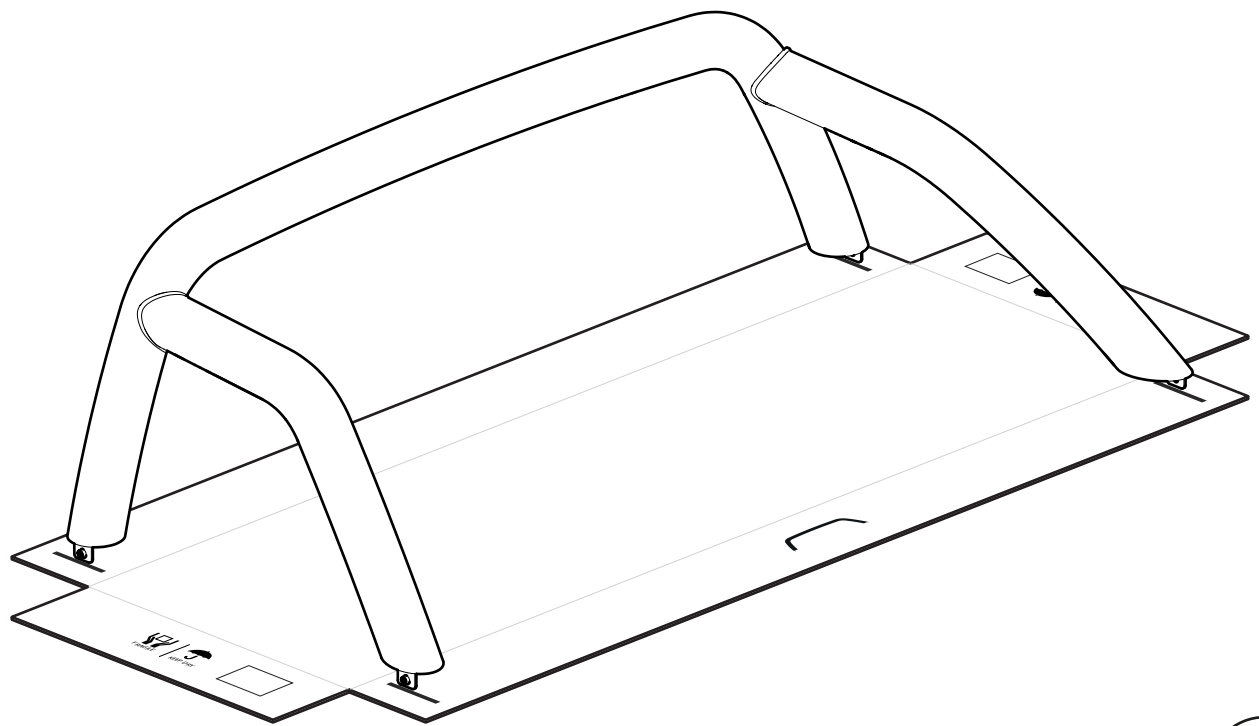
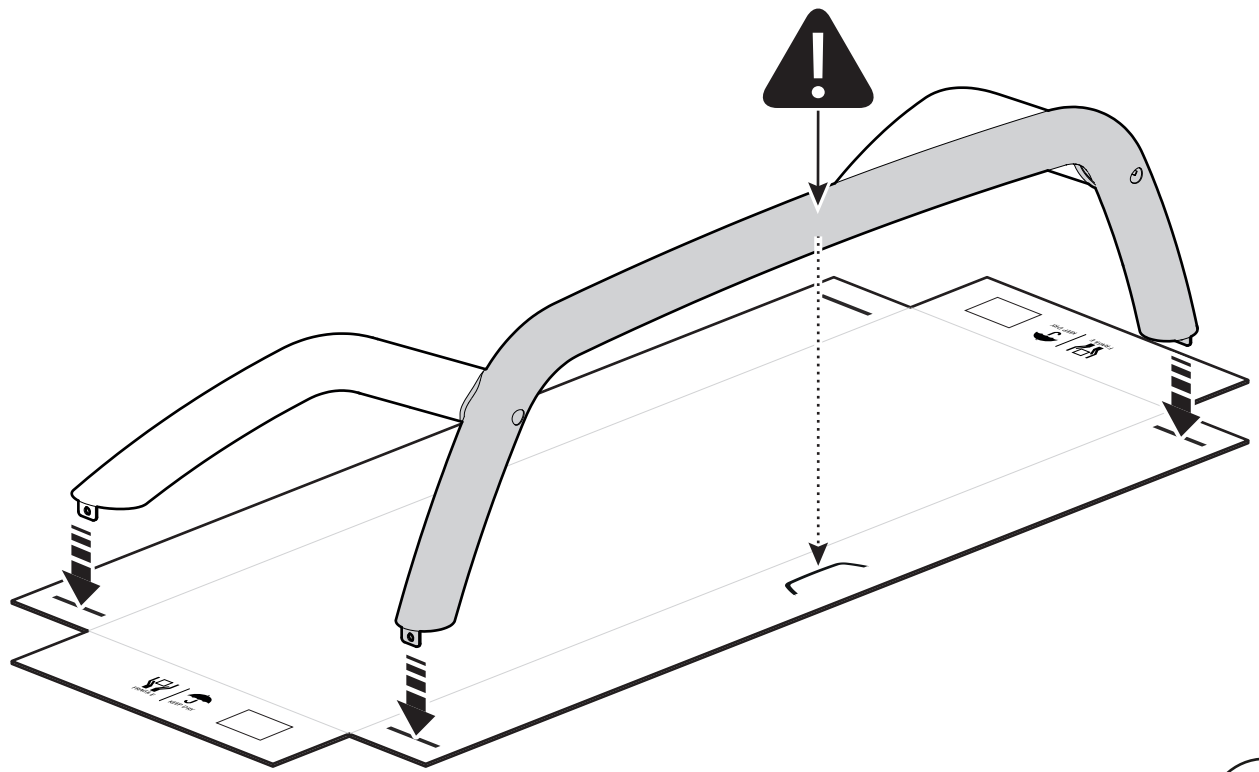
7

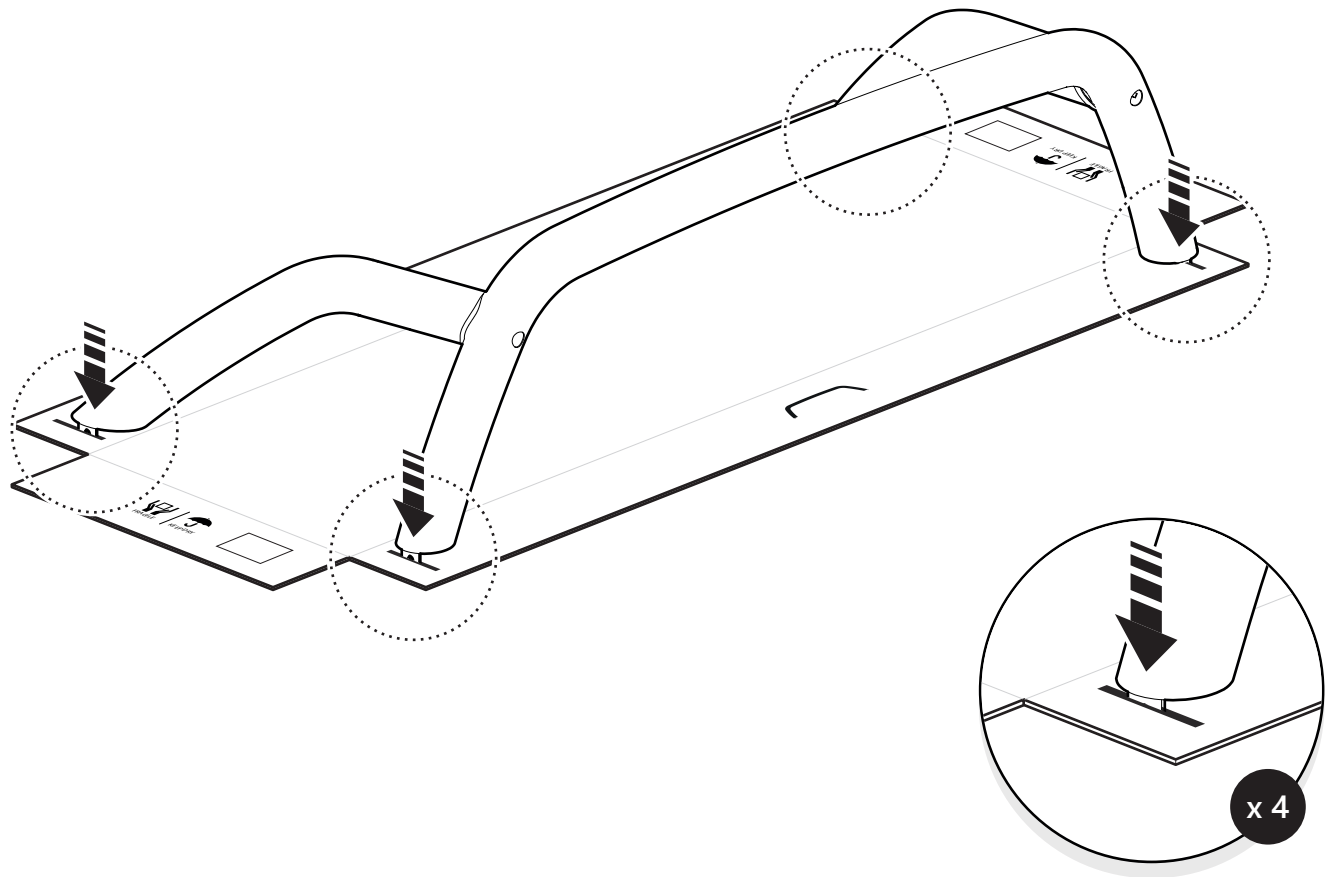




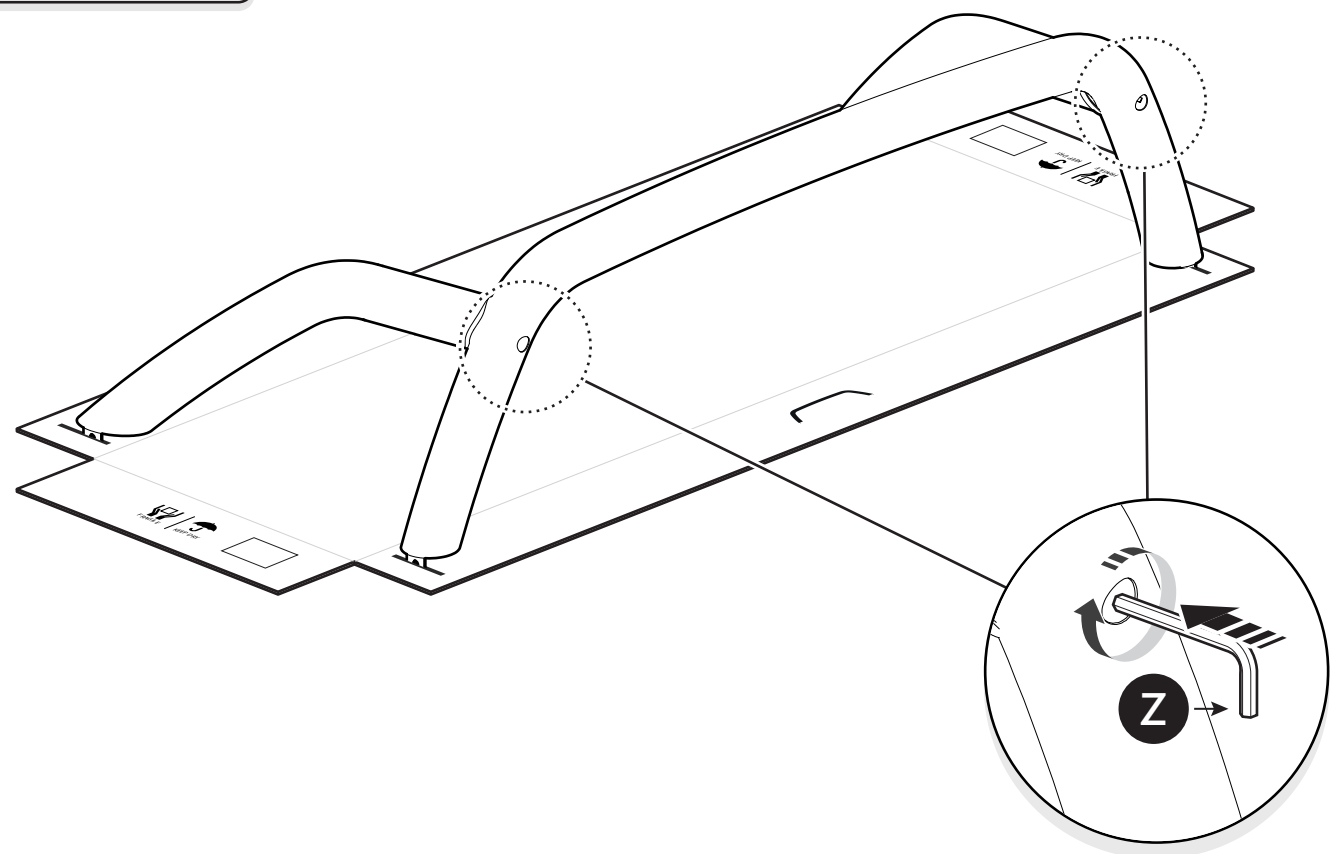
6mm

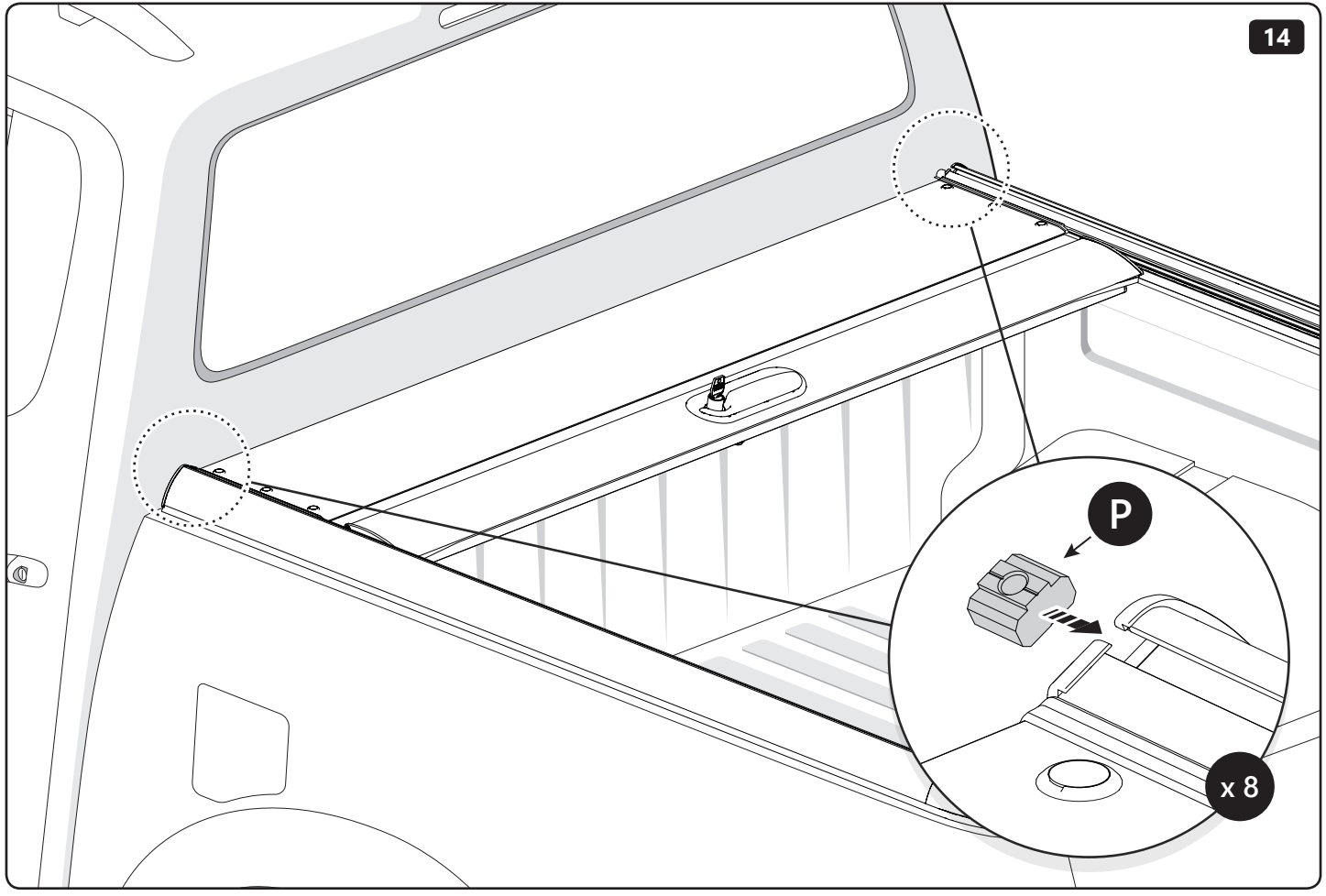
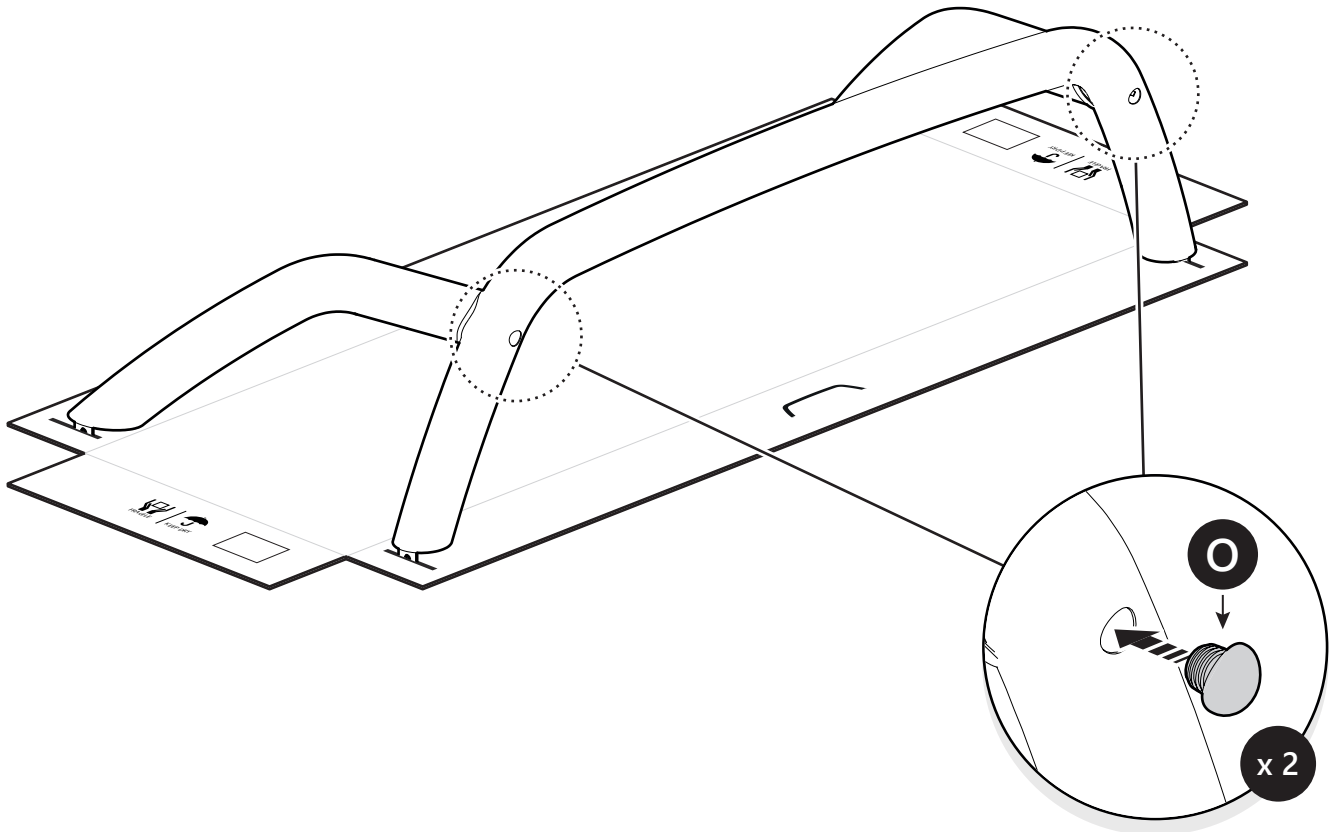


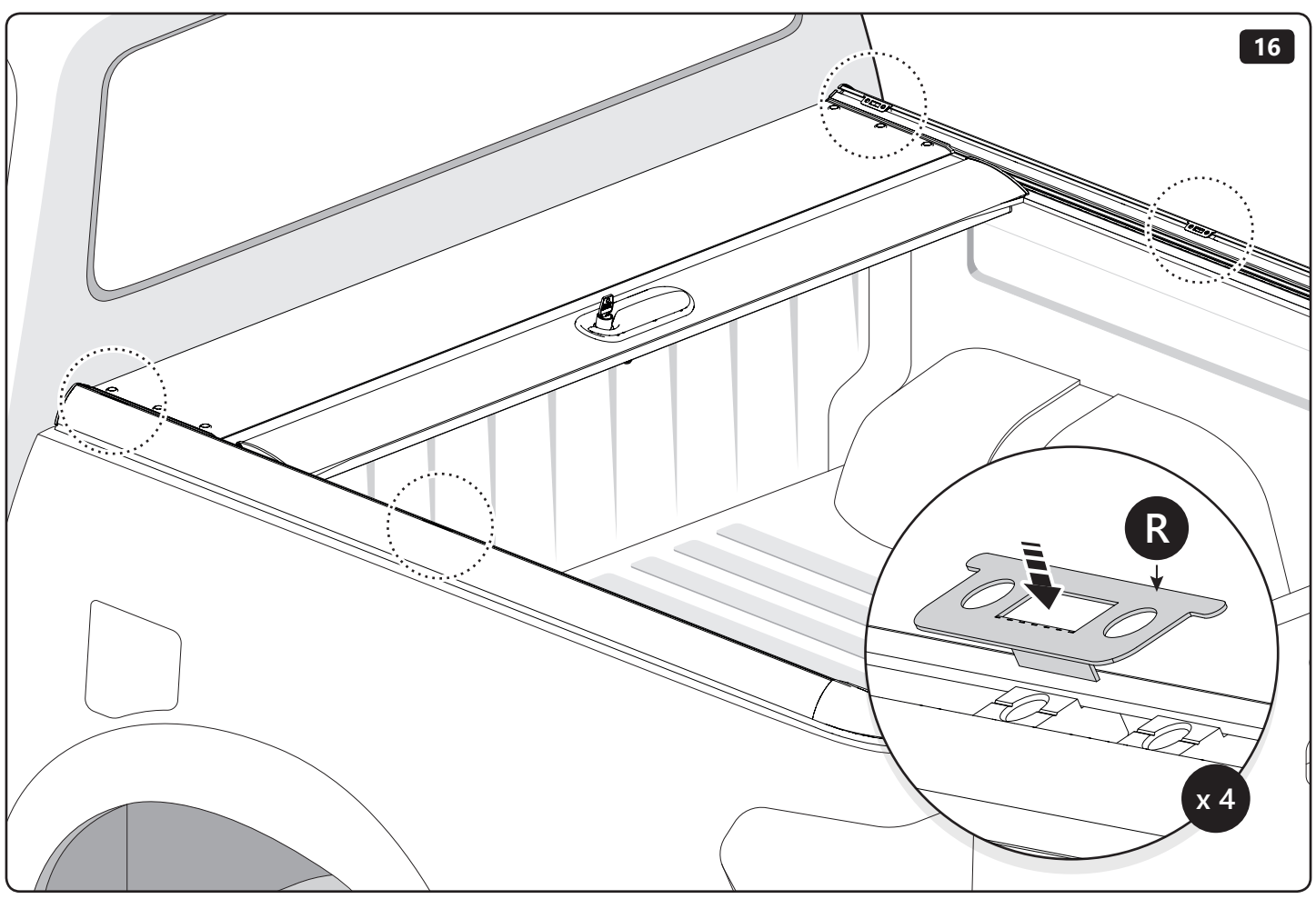
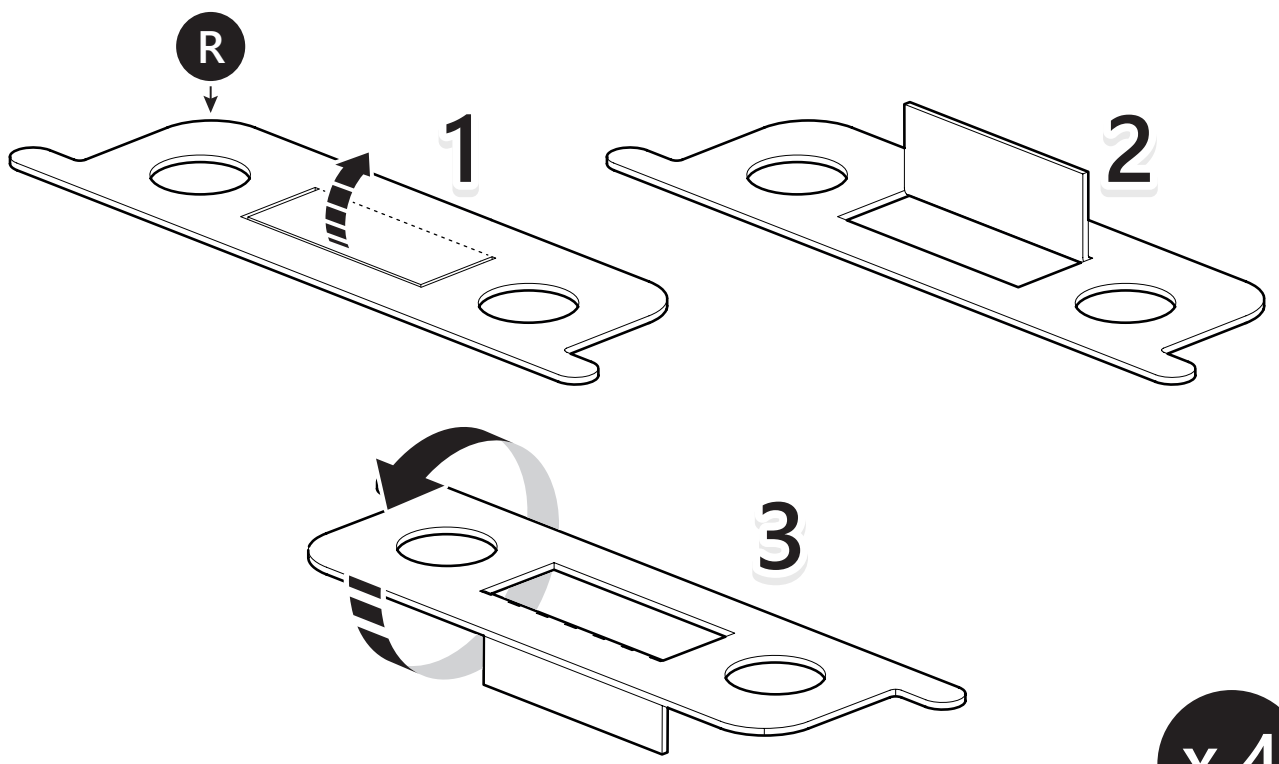


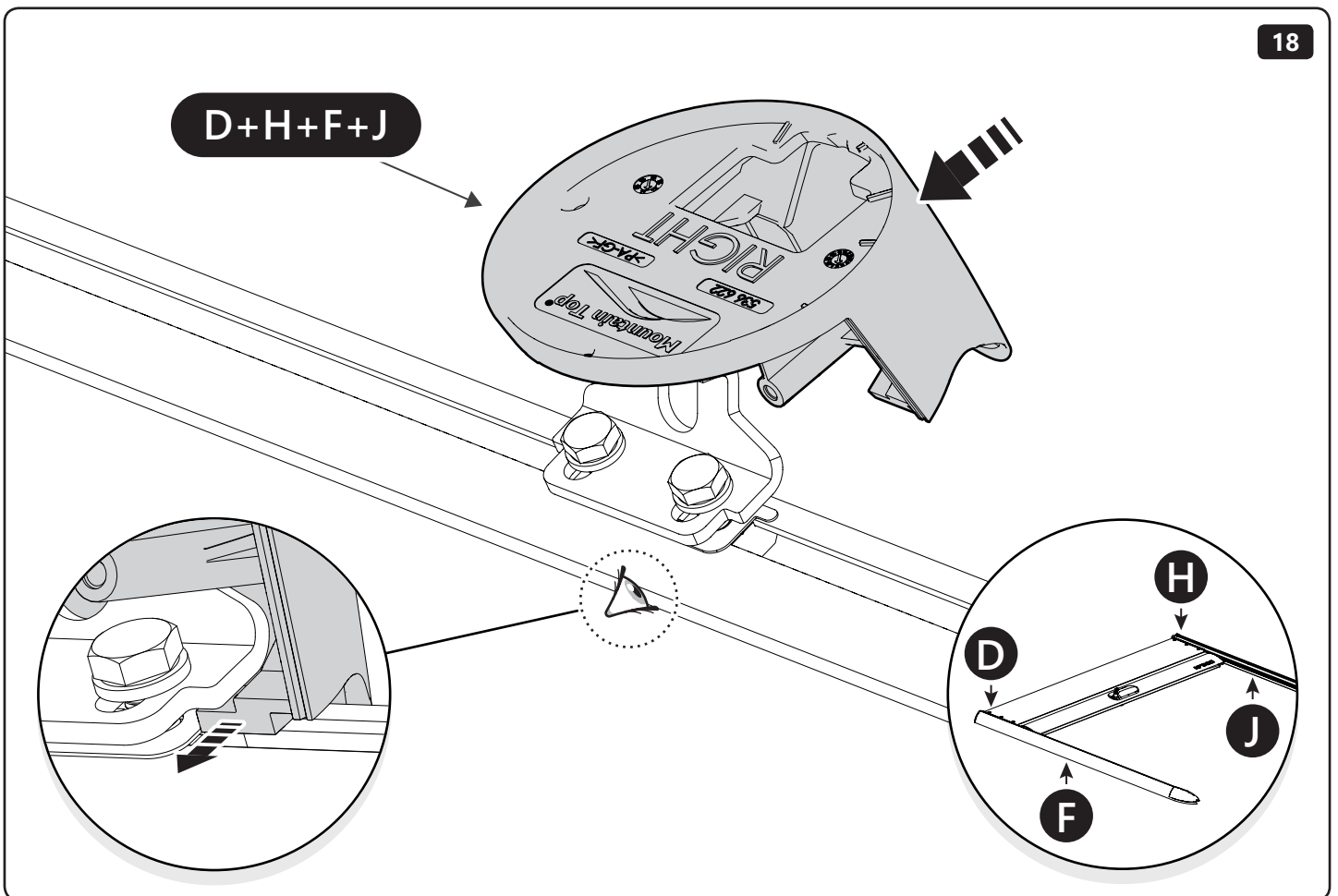
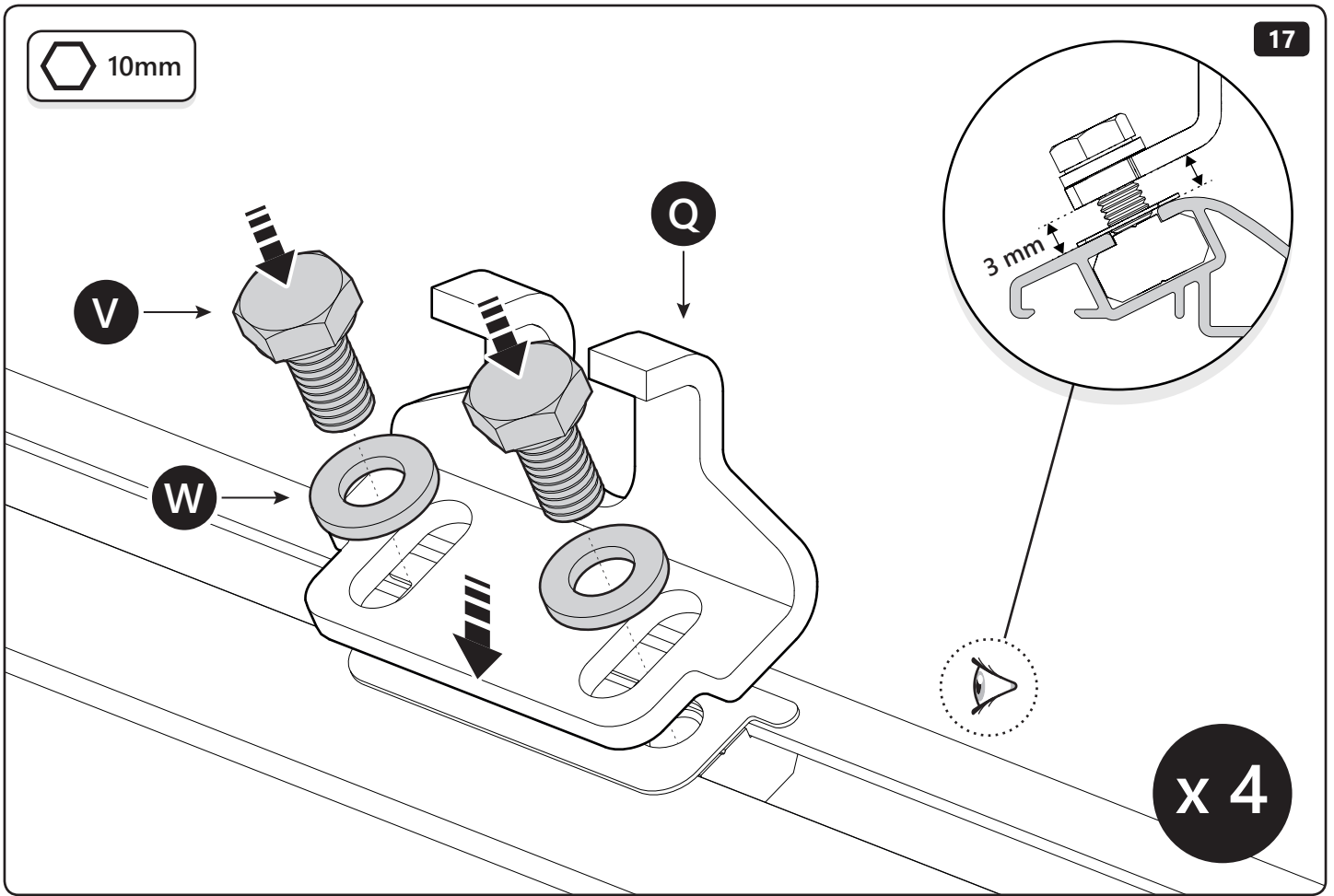


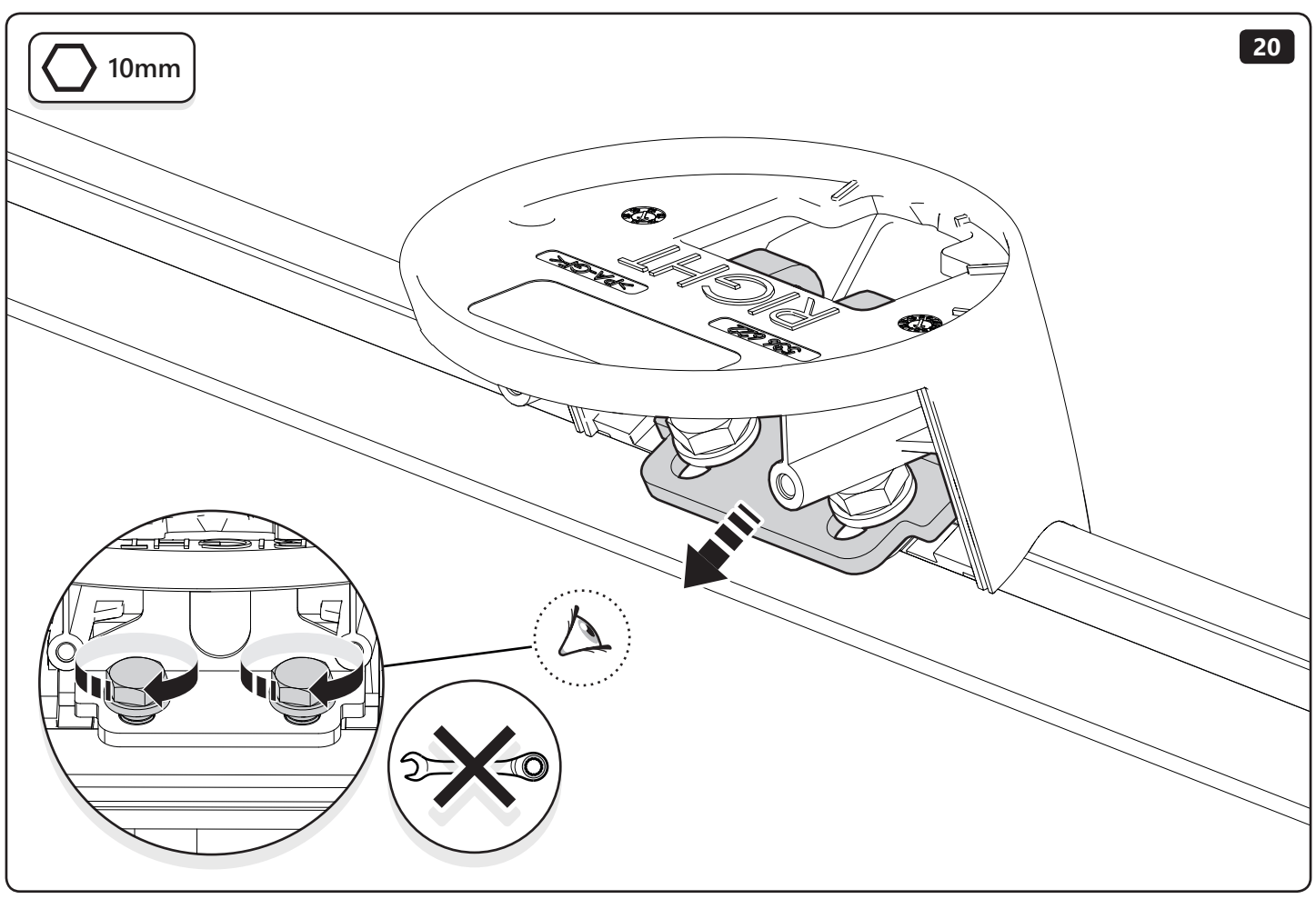
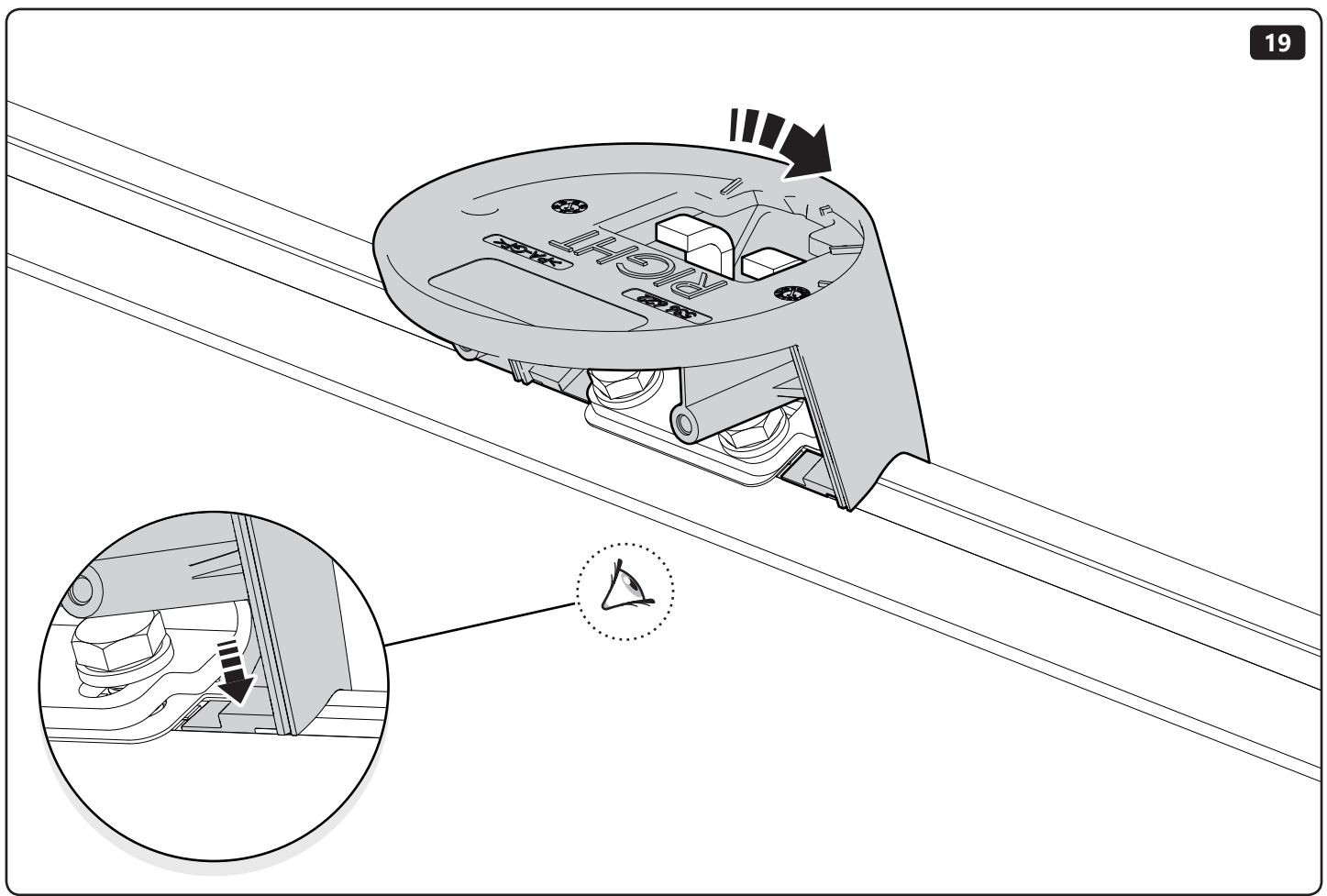
 6mm **23Nm**

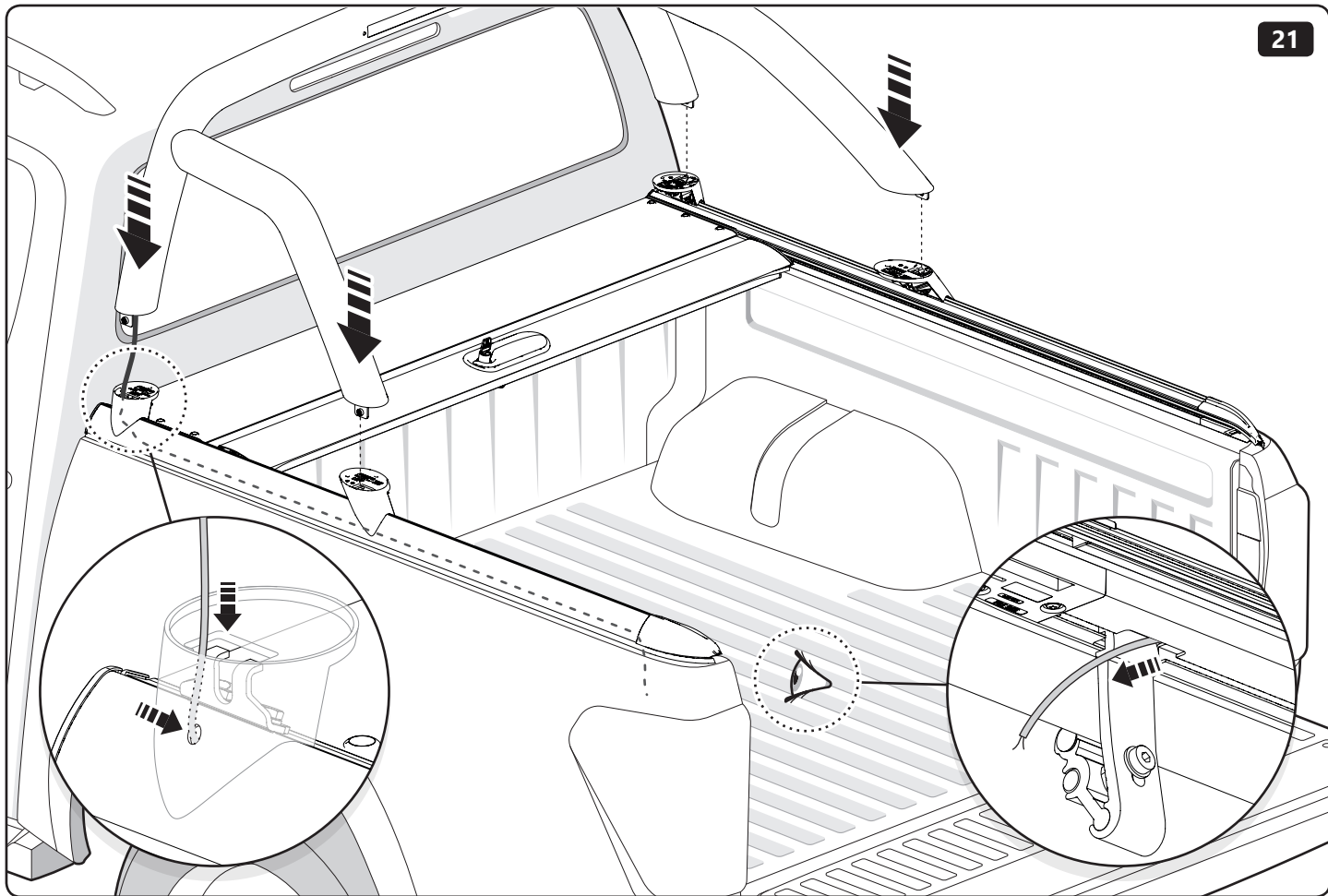




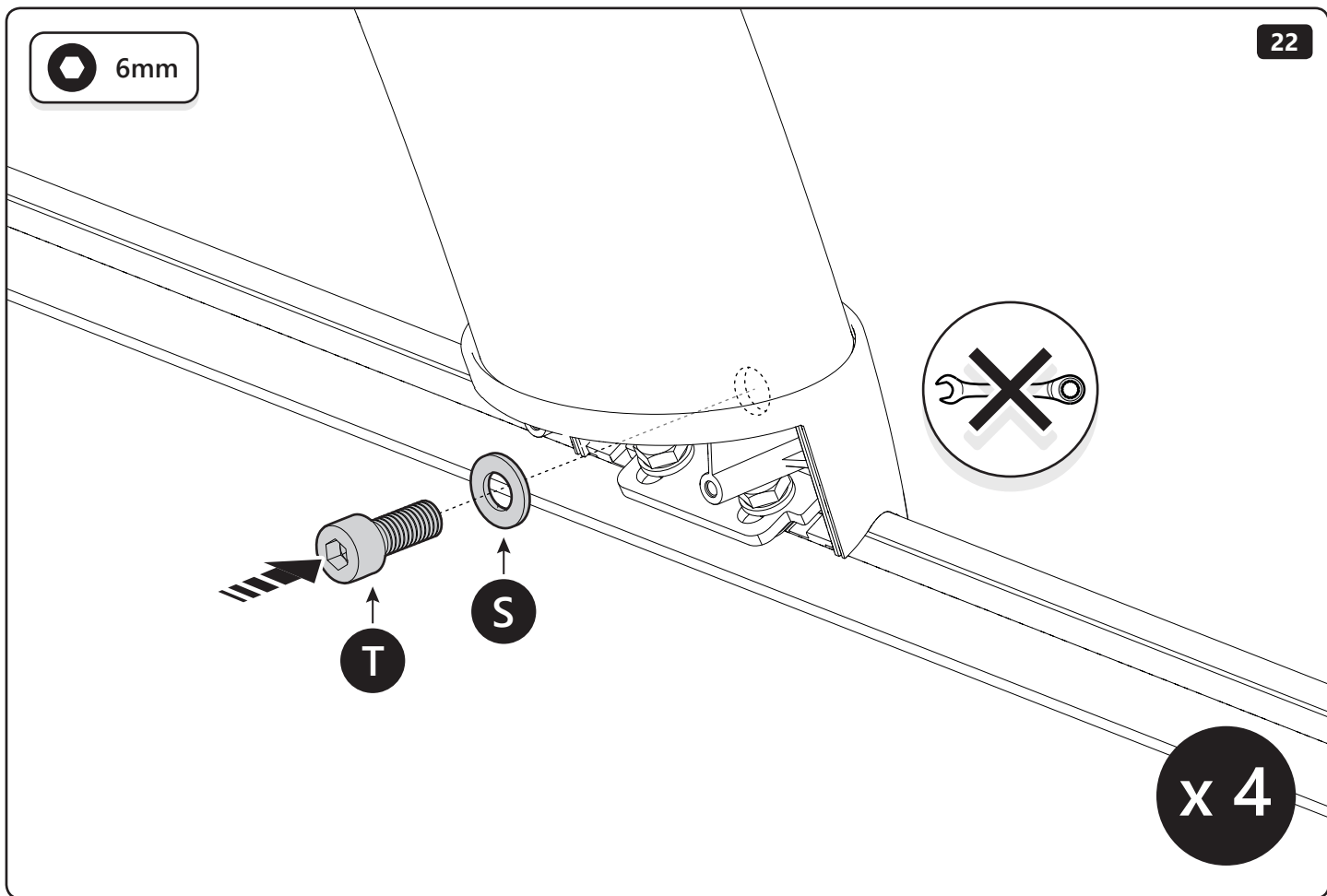


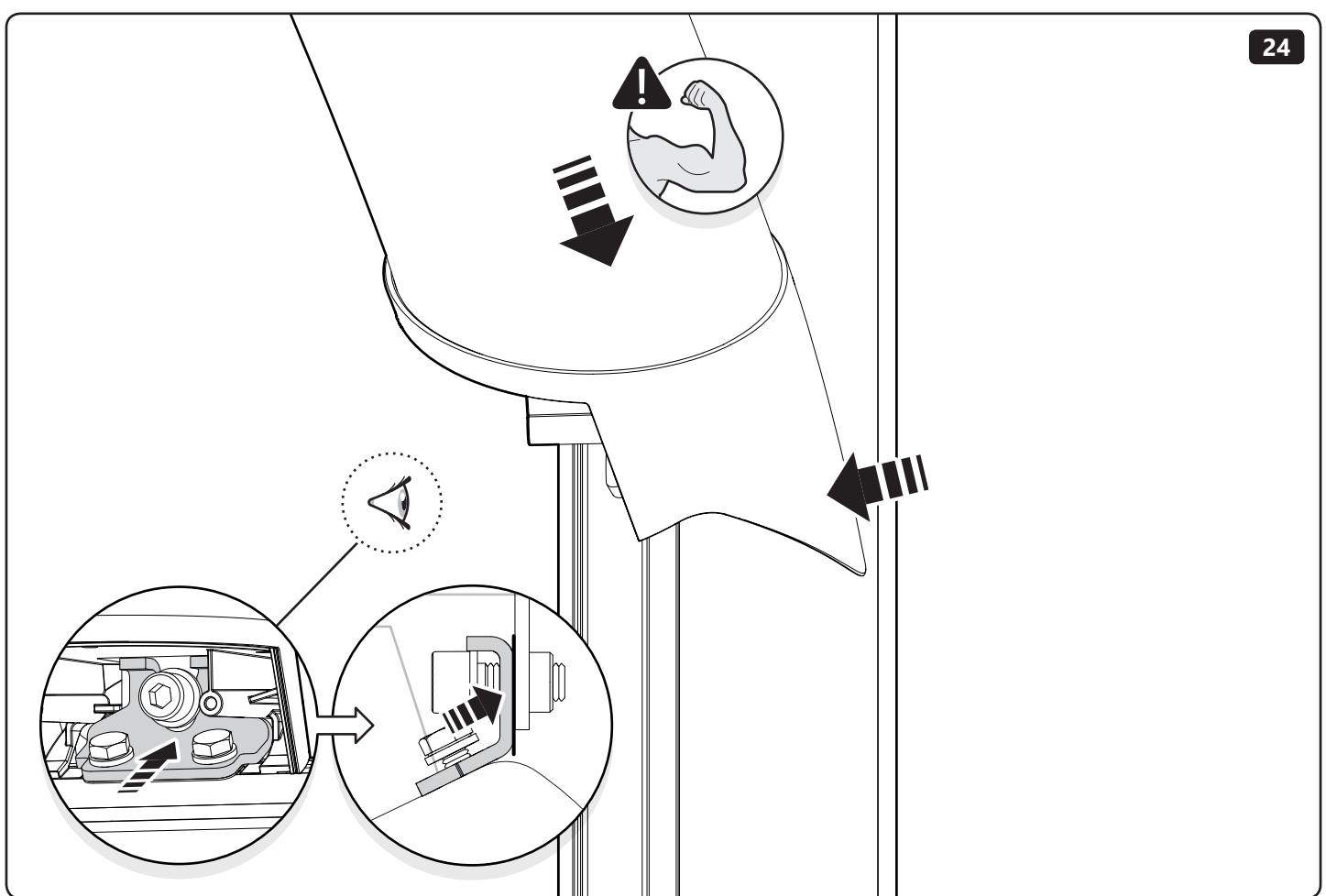
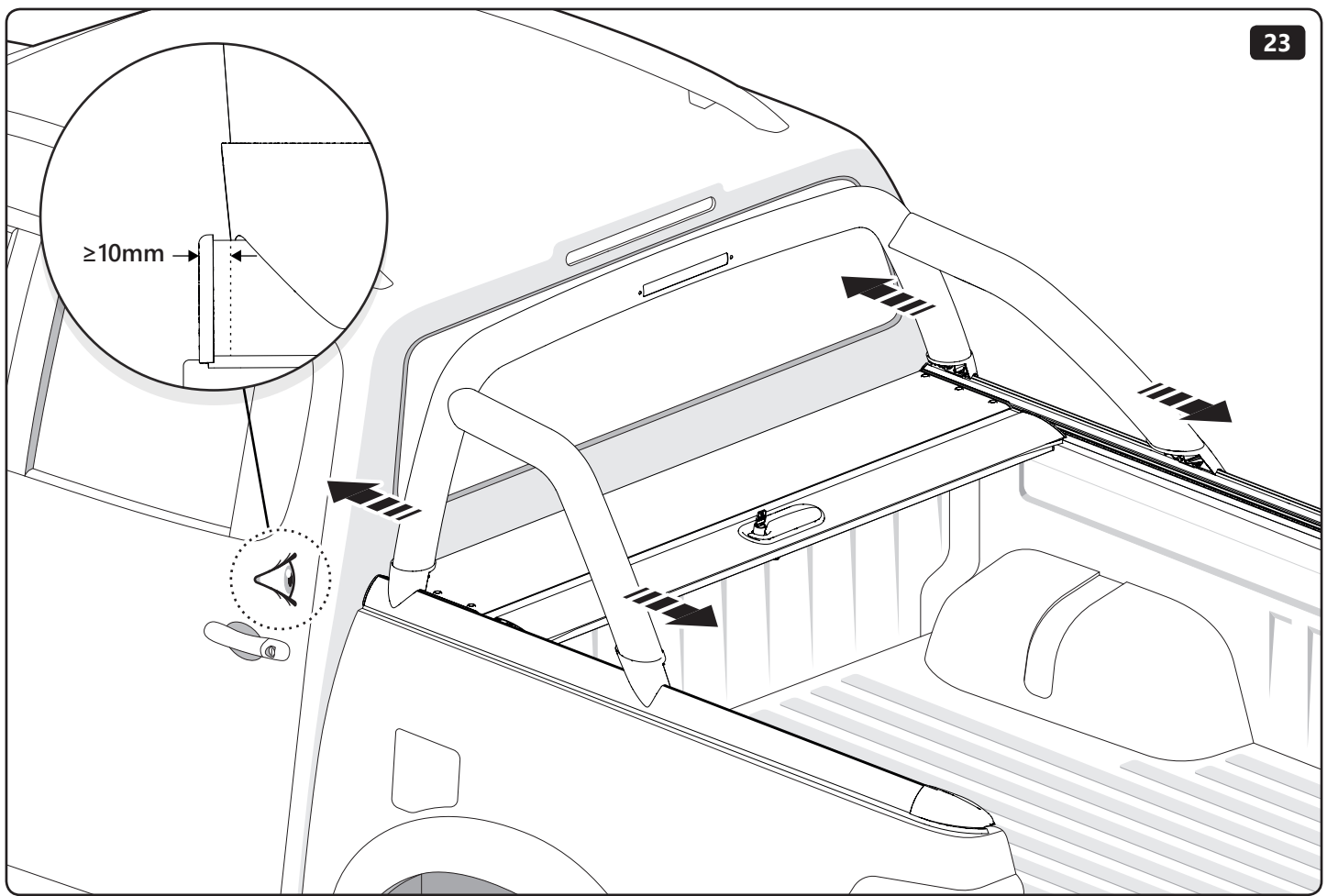


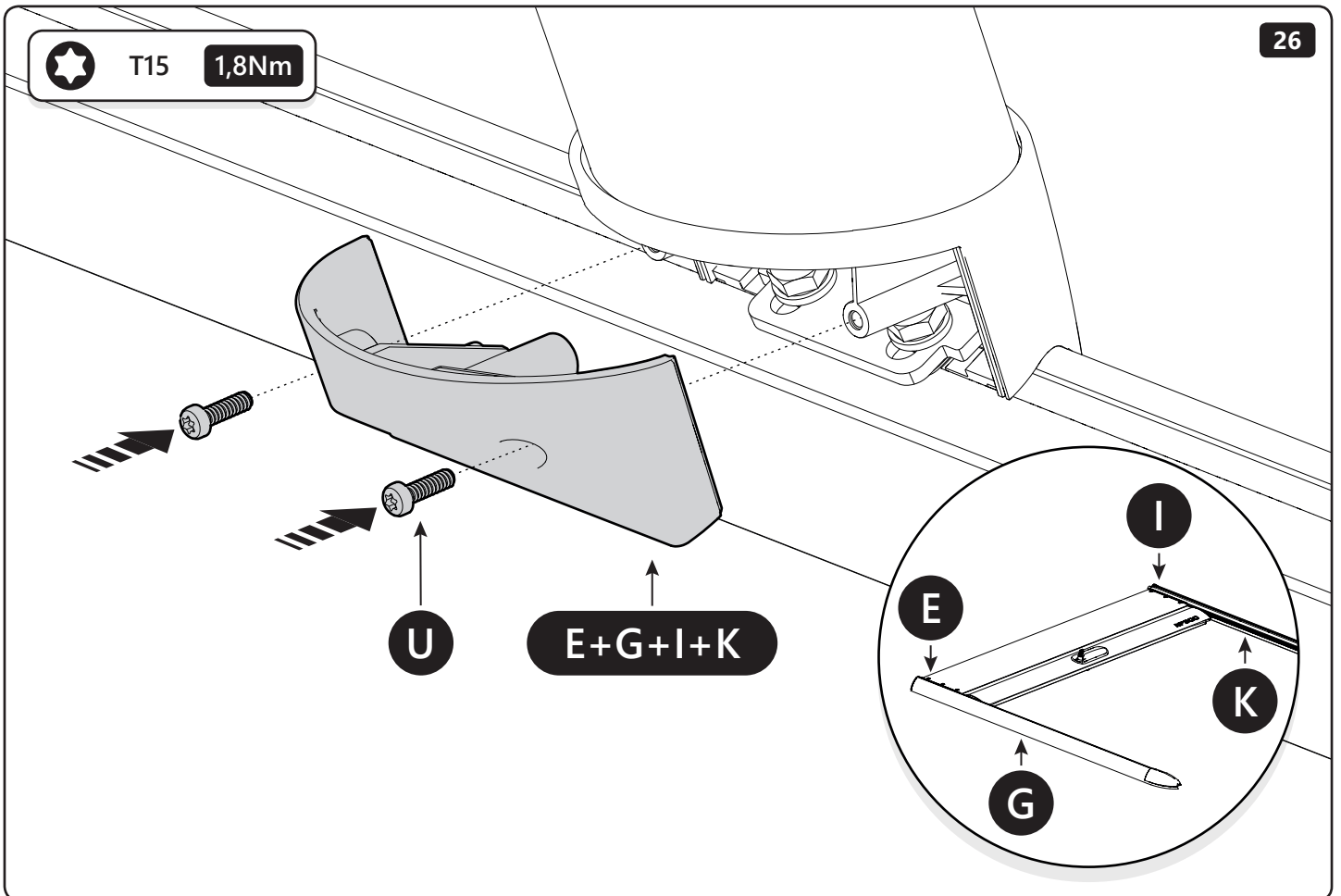
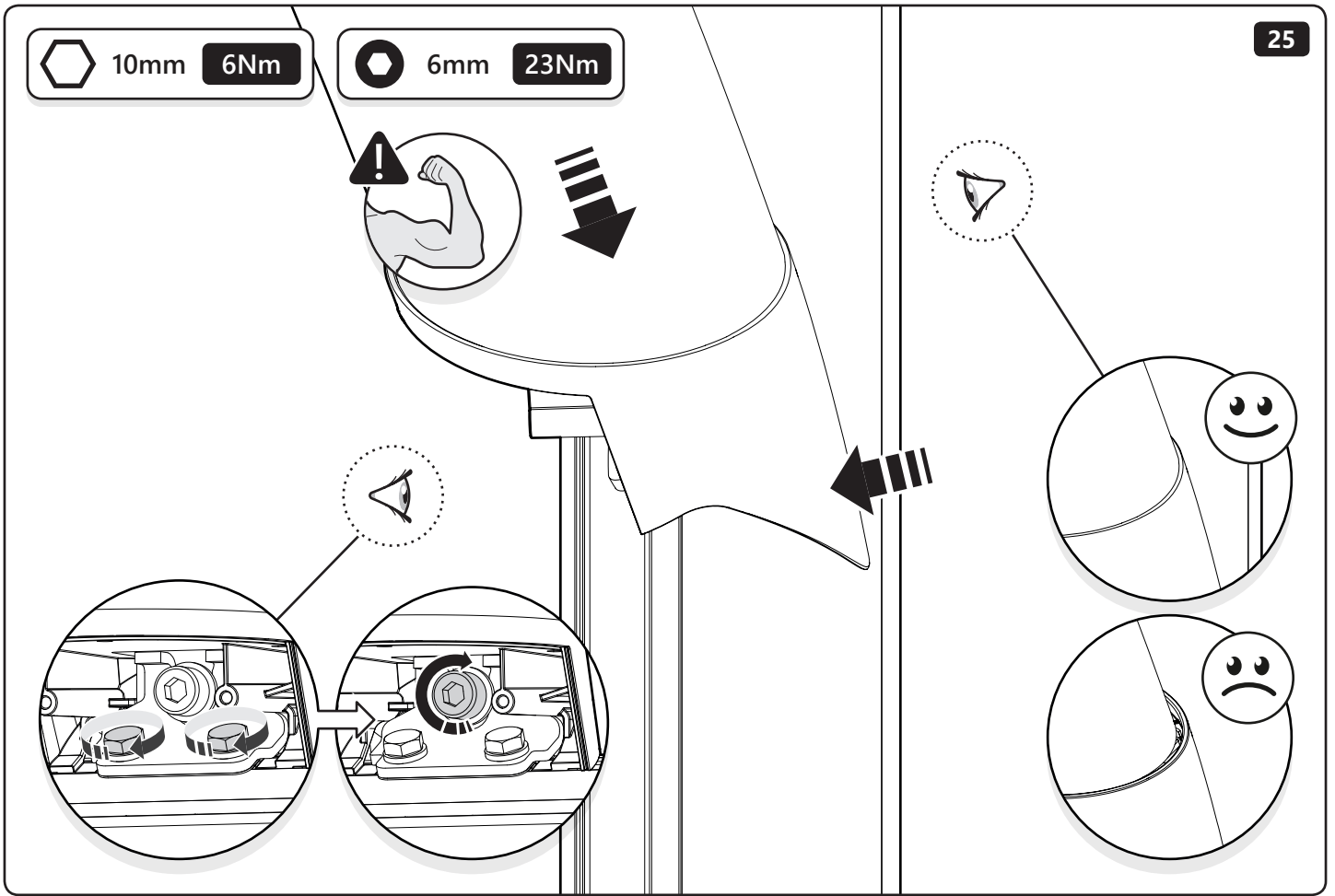


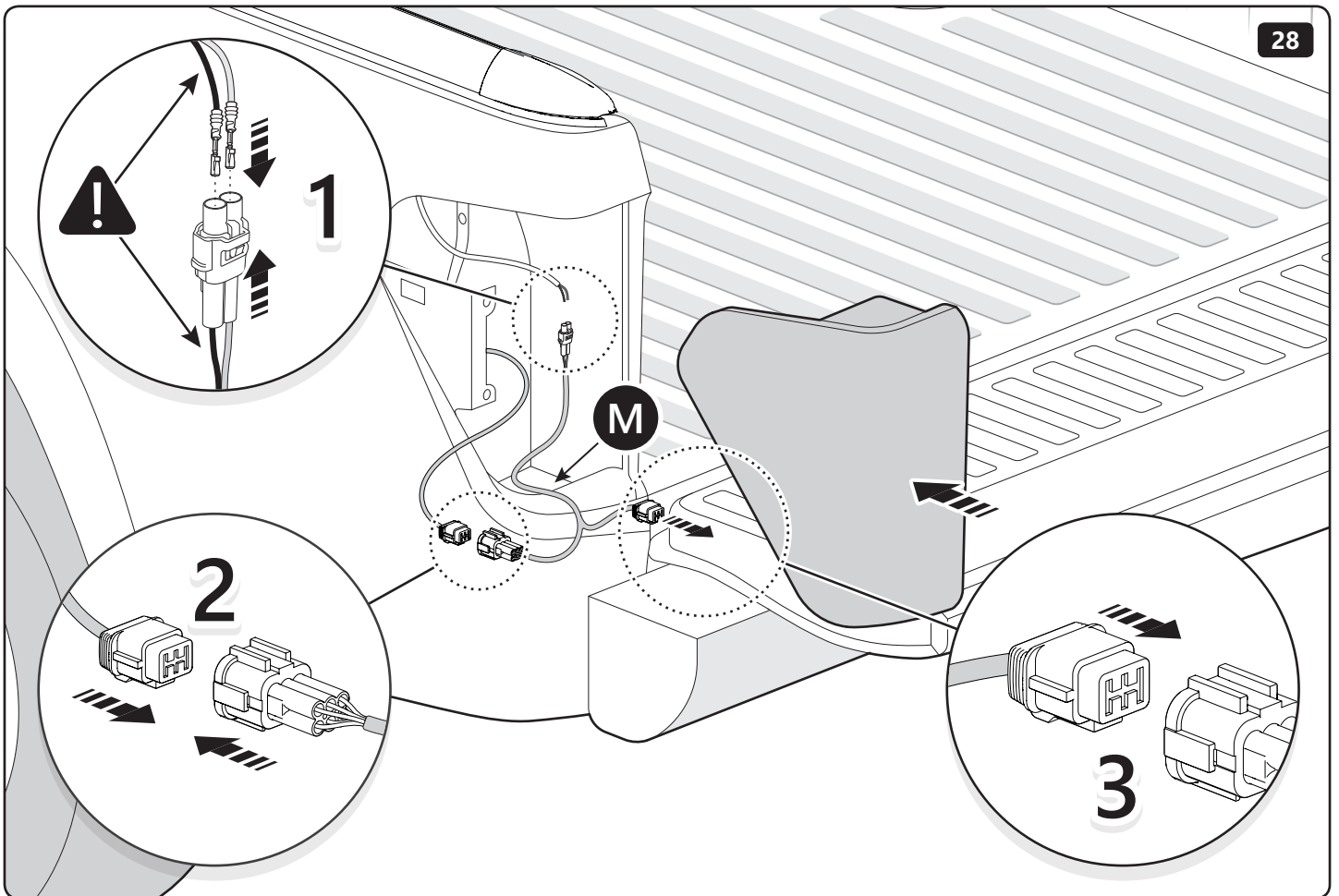
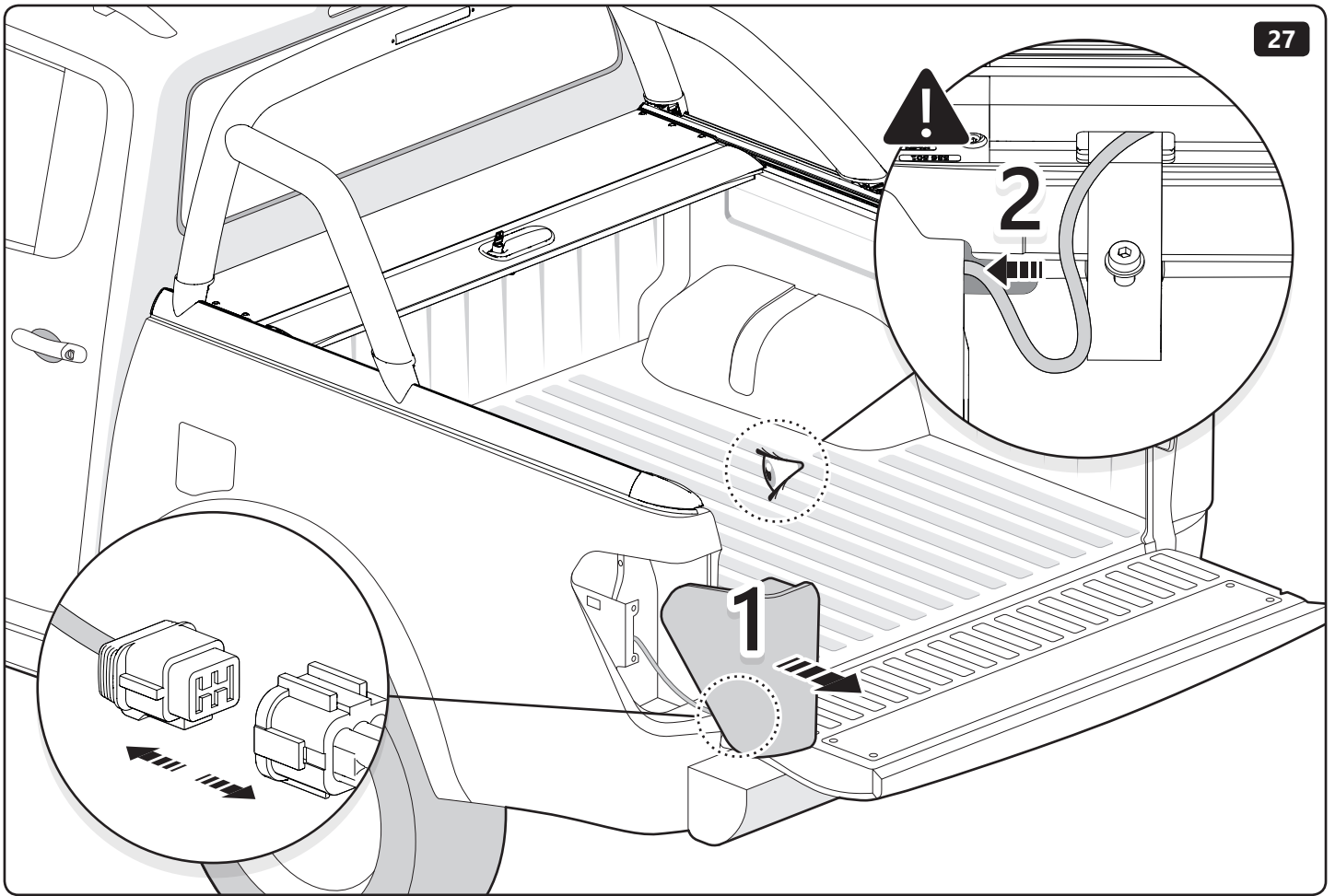


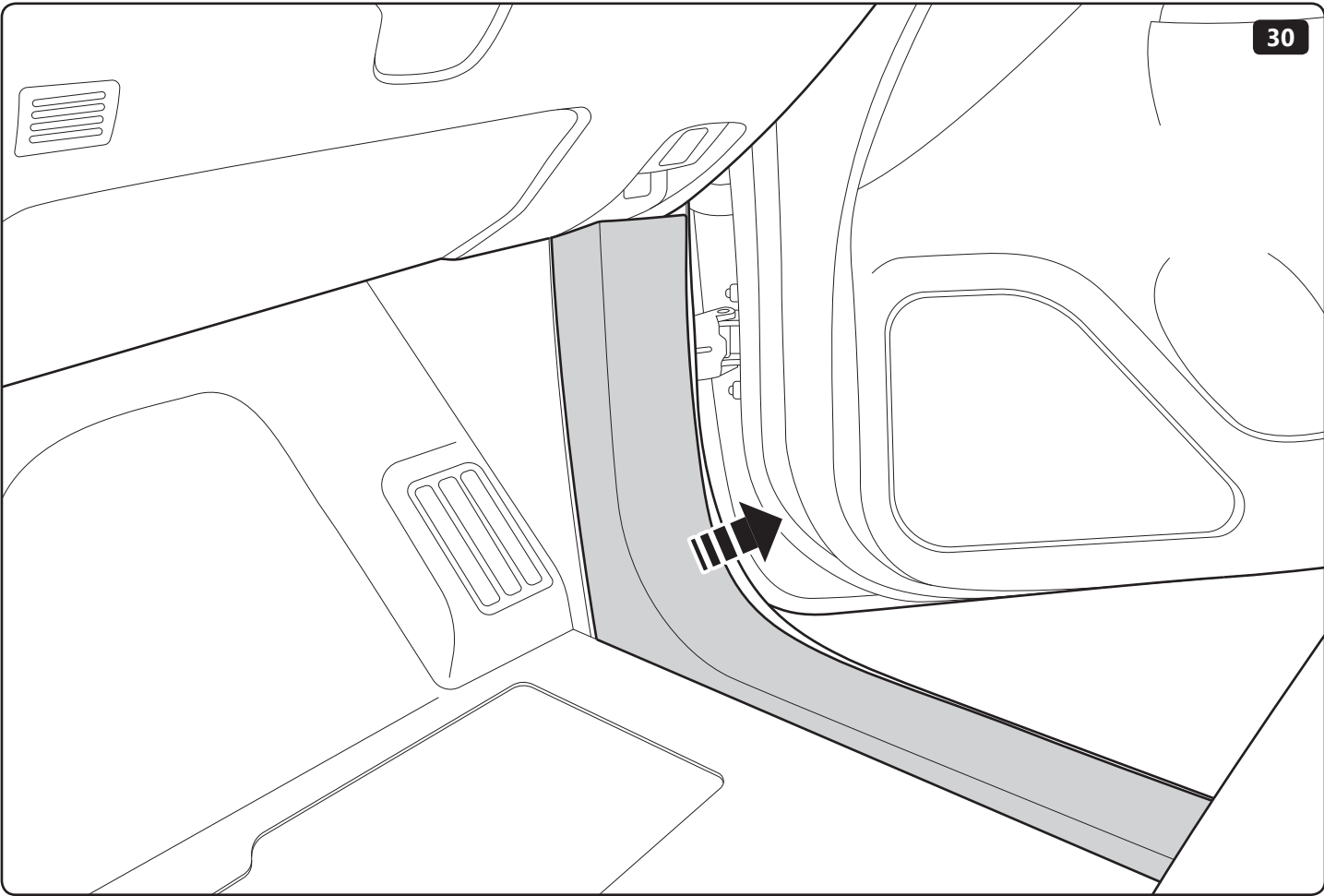
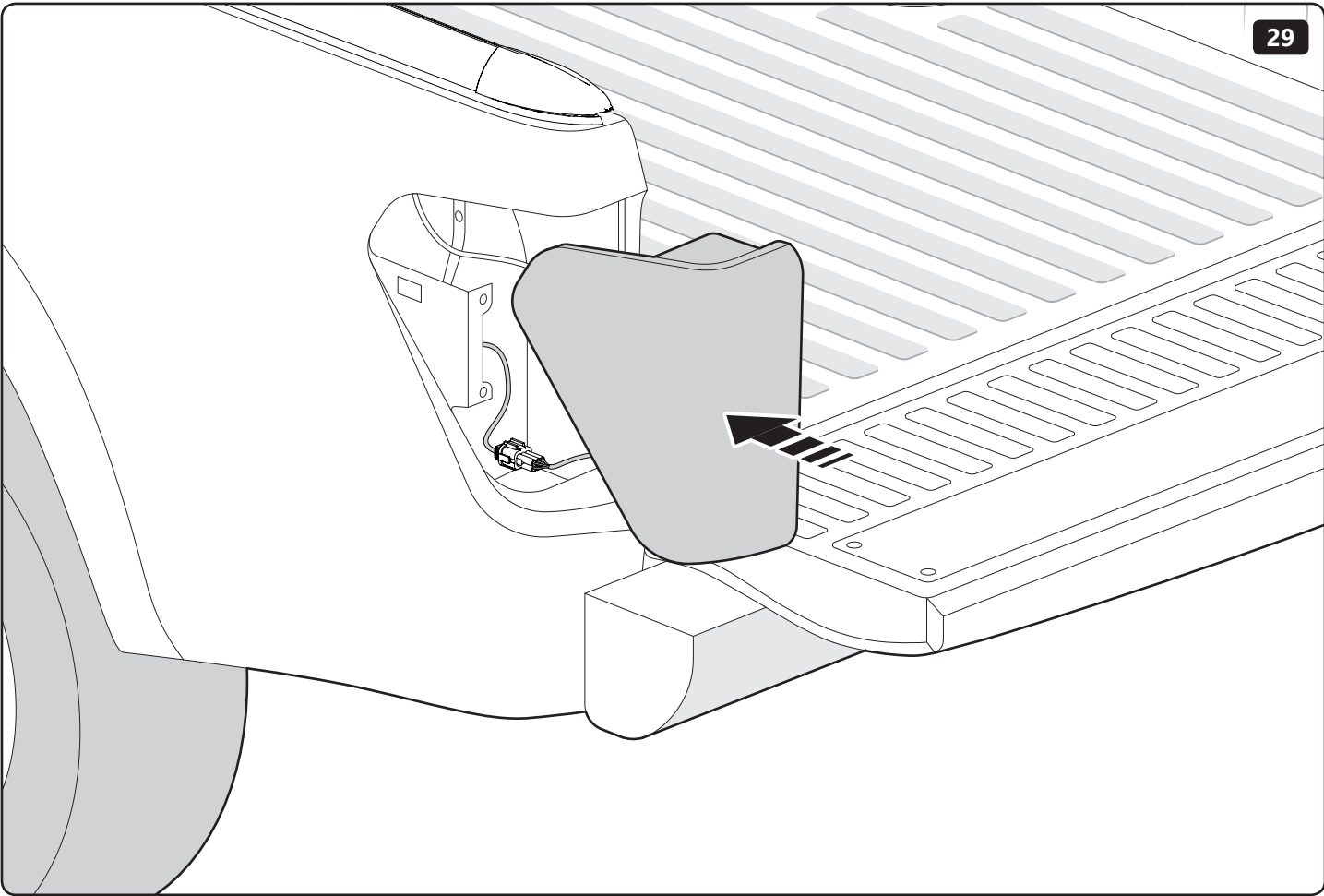
6mm

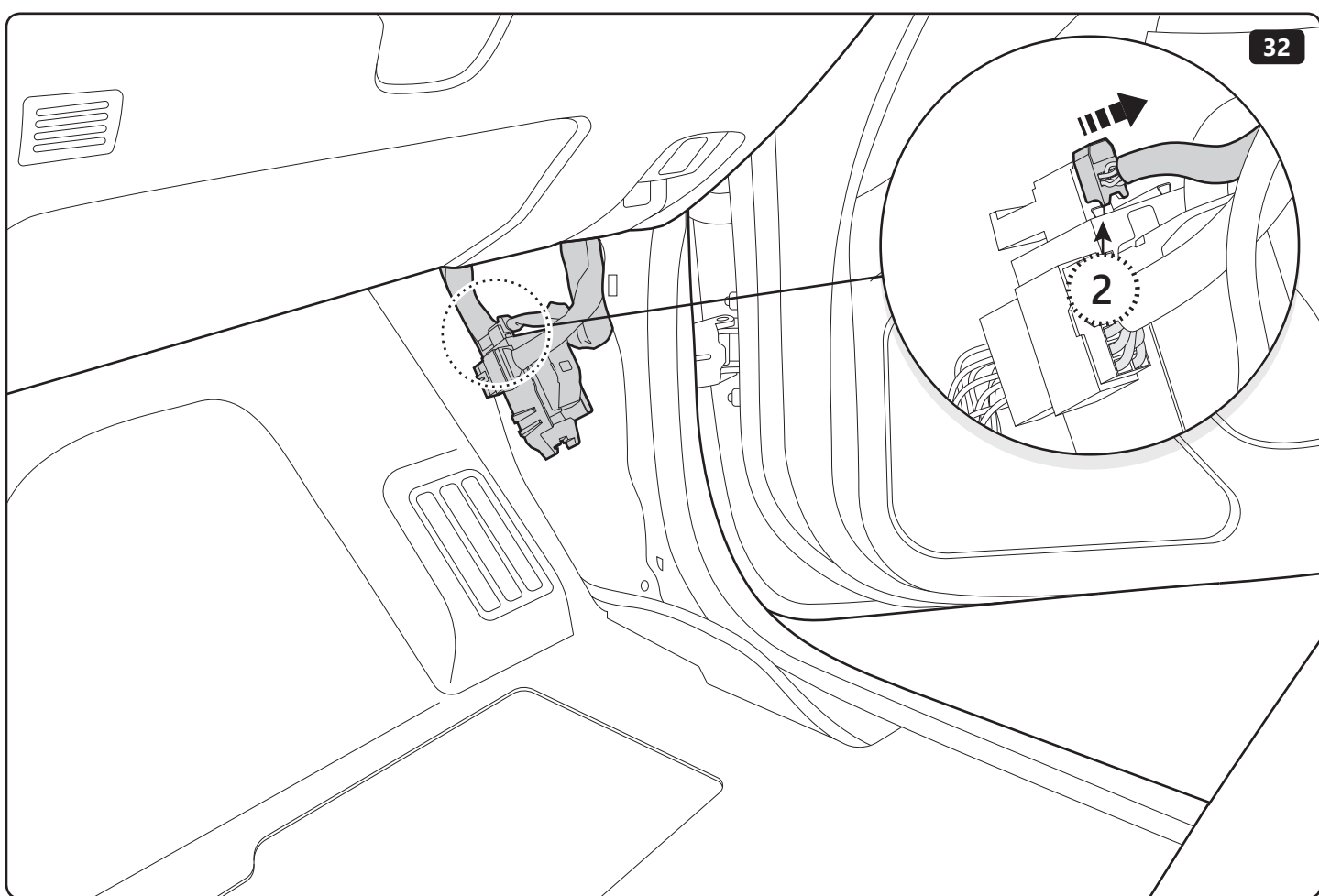
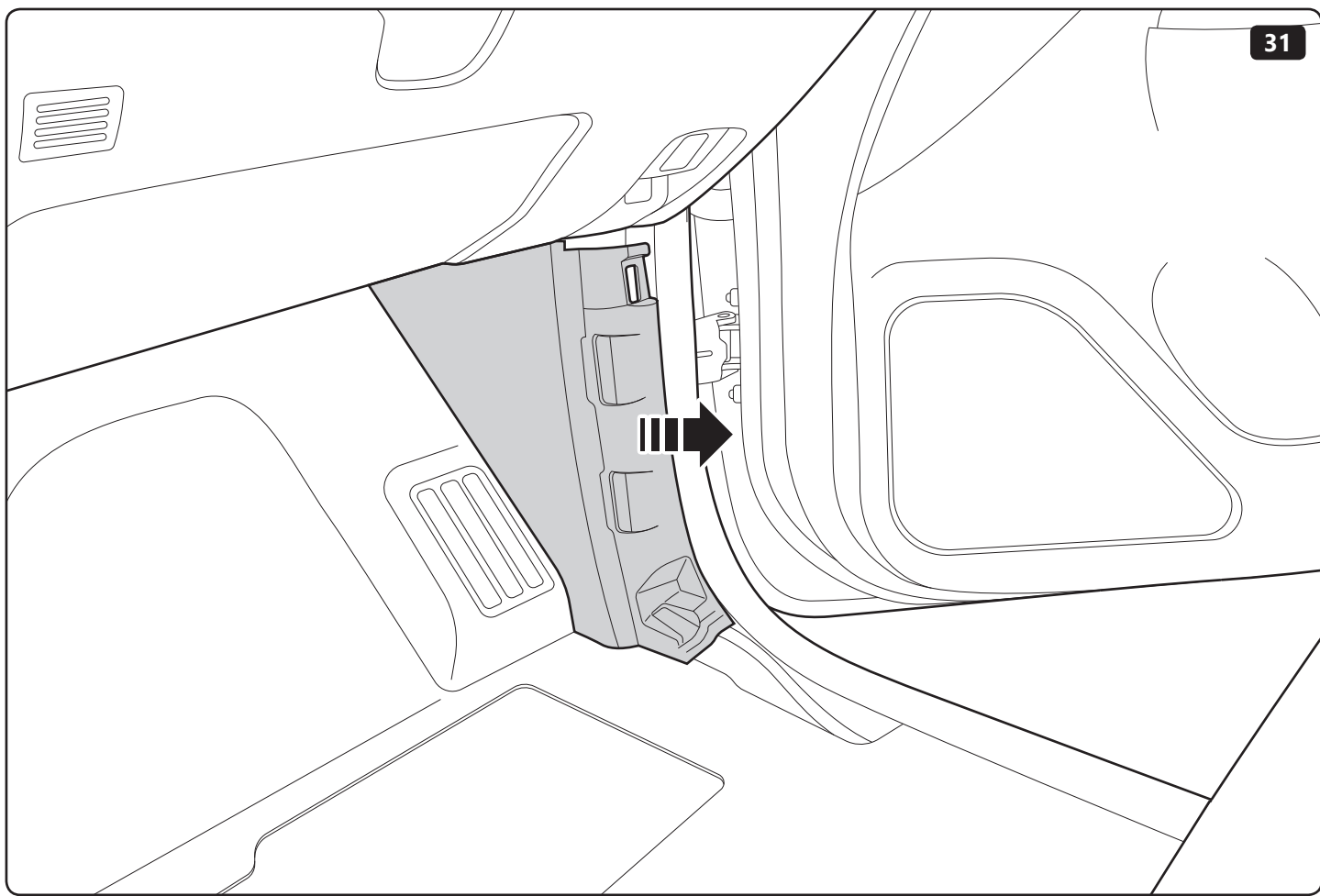


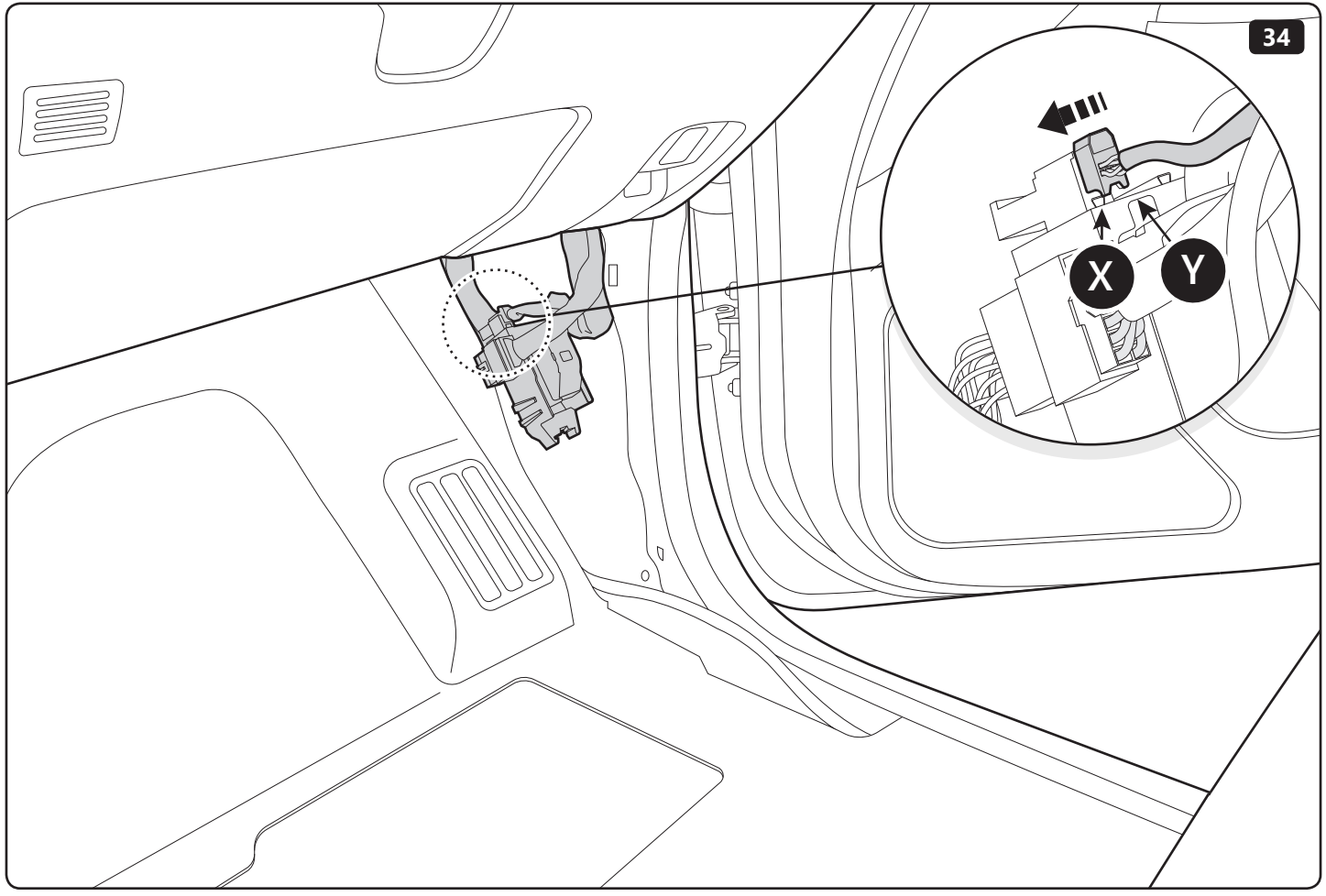
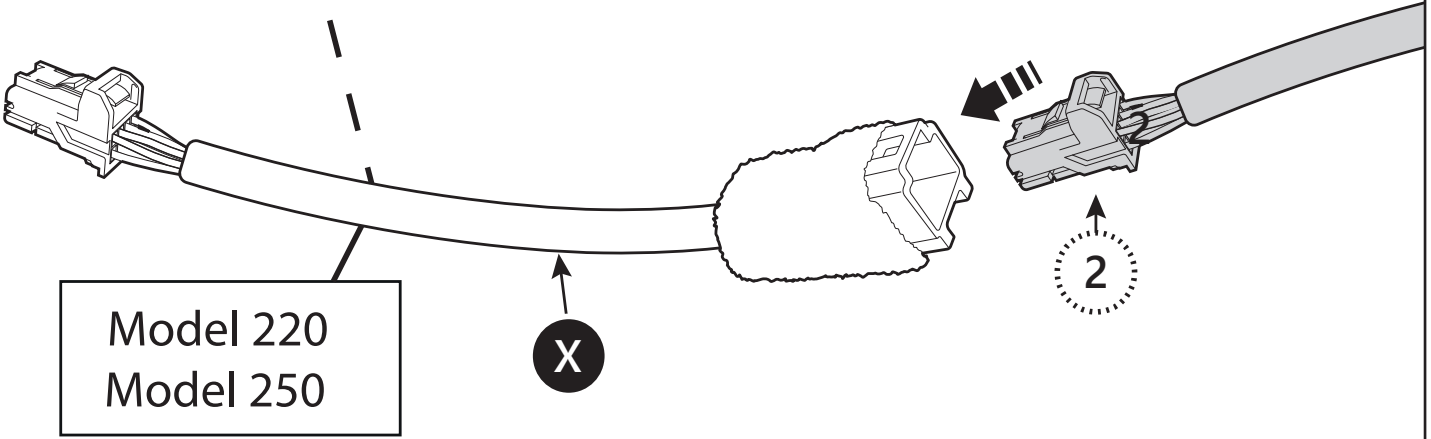
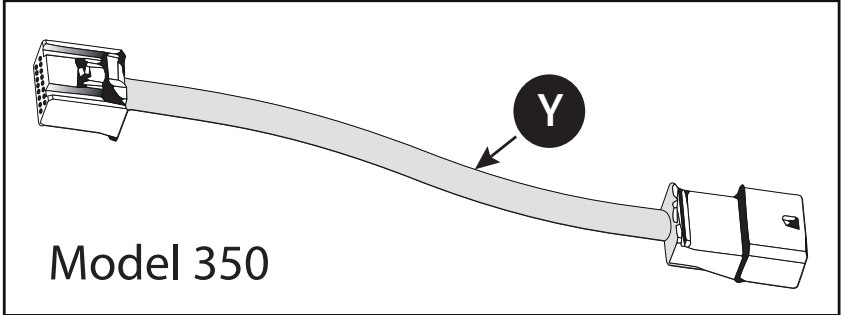


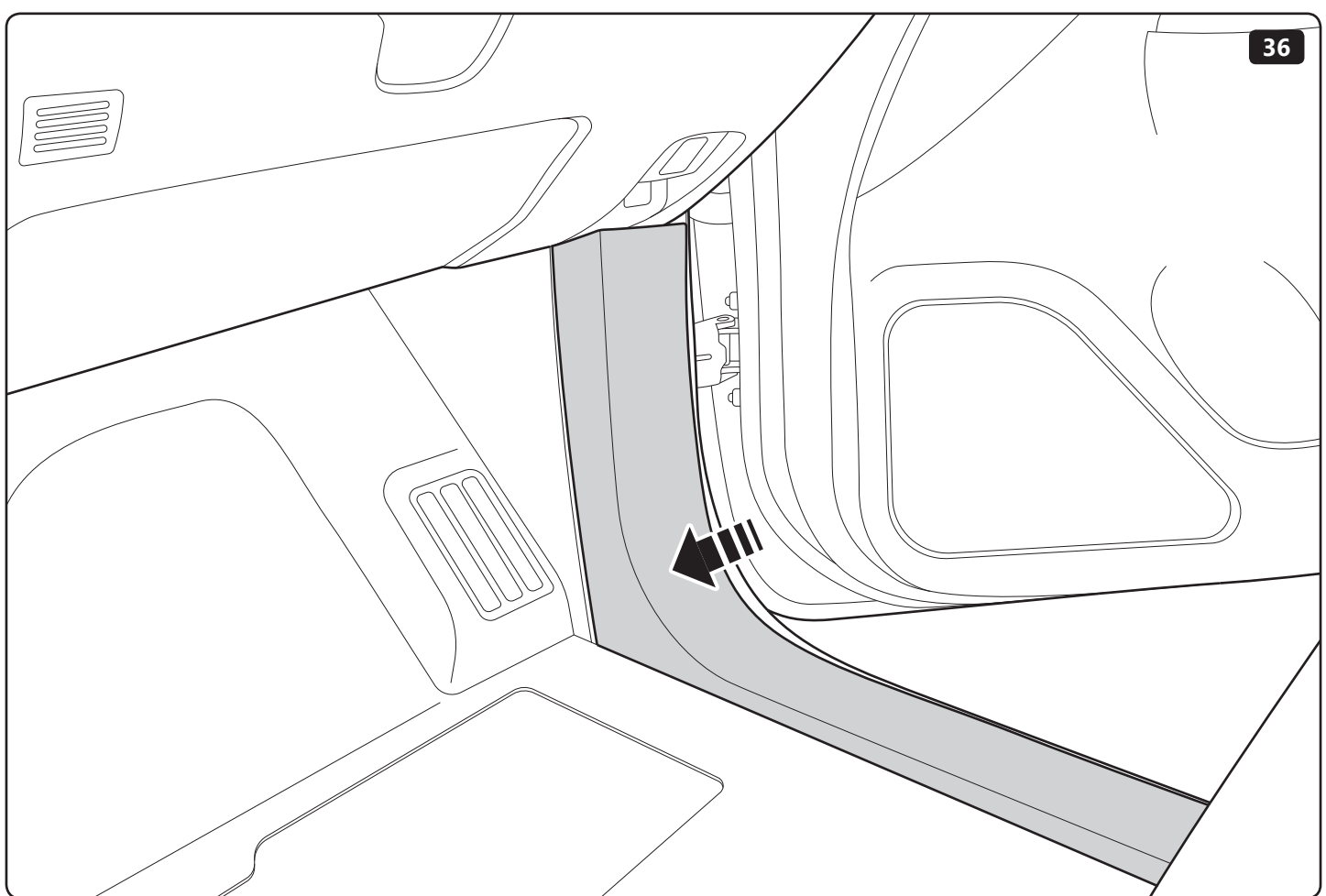
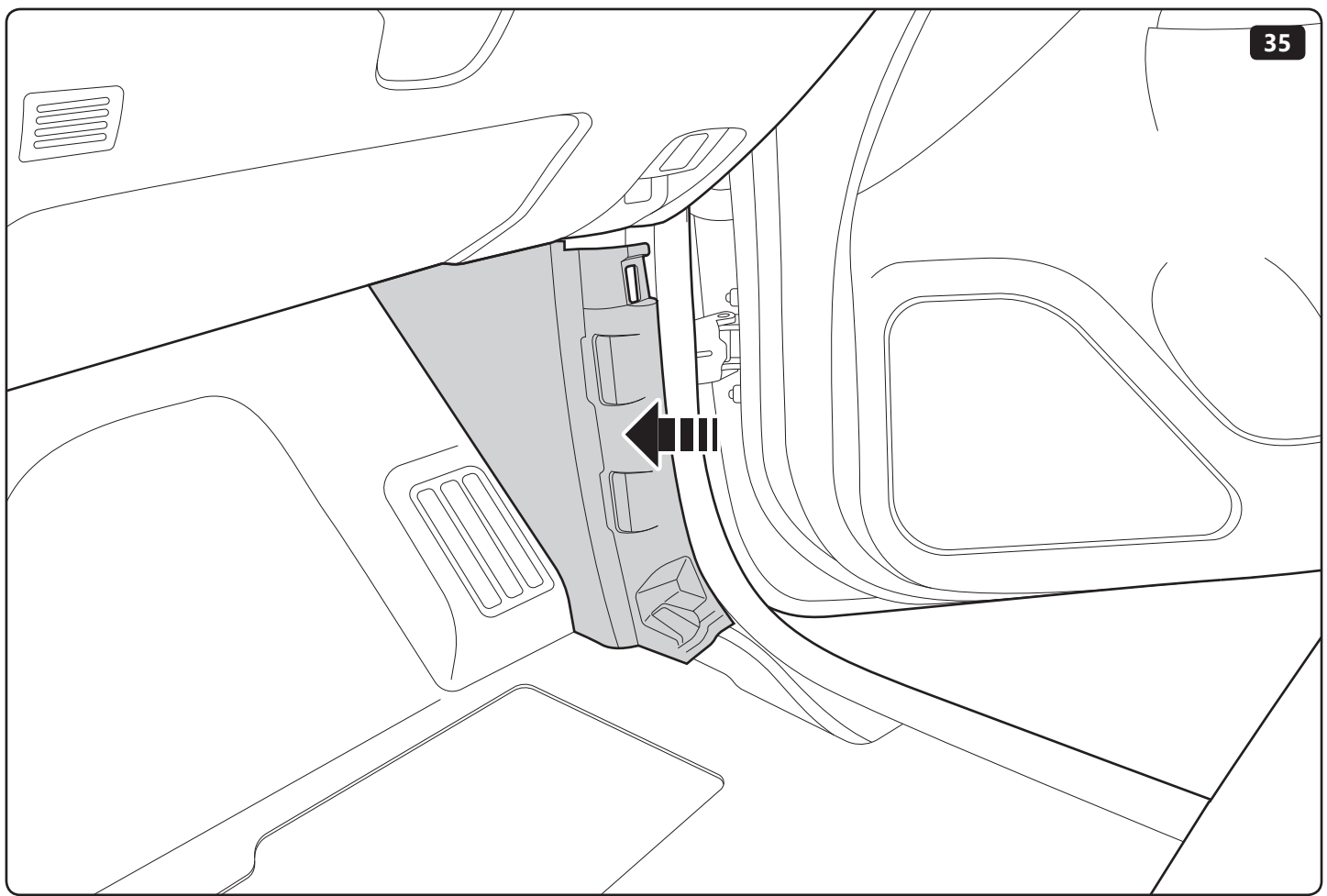














Customer Service +45 4810 2950 (08:00 - 16:00 CET)
Fax +45 4810 2960
Support info@mountaintop.dk
Website www.mountaintop.dk
Address Pedersholmparken 10, 3600 Frederikssund, Denmark

PART NUMBER(S)	MODEL / YEAR	CAB TYPE(S)	INSTALLATION TIME	WEIGHT
SB MB90	Mercedes Benz / 2017 →	Double	2 hour(s)	10 Kg

GB Installation manual	S Monteringsanvisning	D Einbauanleitung
SF Asennusohje	E Instrucciones de montaje	CZ Návod k instalaci
F Notice de montage	H Szerelési utasítás	I Istruzioni de montaggio
PL Instrukcja montażu	P Instruções de instalação	GR Οδηγίες Εγκατάστασης
NL Installatie-instructies	RUS Инструкция по установке	DK Monteringsvejledning
TR Montaj Talimatı	N Monteringsveiledning	RO Instructiuni de instalare